

# PARTS LIST SUPPLEMENT

for the

# SUNBEAM "260"

Commencing Chassis Number

B9470001

This Supplement to be inserted at the front of the Sunbeam Alpine parts list No. 6600992, and to be used in conjunction with parts list No. 6600992.

Sales and Service in 163 Countries

---

Issued by

ROOTES MOTORS (PARTS) LTD., BIRMINGHAM 10

---

A ROOTES PRODUCT



# INDEX TO SECTIONS

For Descriptive Index see page iv

ENGINE (Motor)	AF
PETROL (Fuel) PUMP	BF
CARBURETTOR	CF
CARBURETTOR CONTROLS	DF
CLUTCH AND CONTROLS	FF
GEARBOX (Transmission) UNIT and GEAR SHIFT CONTROL	GF
SUSPENSION — FRONT	MF
AXLE — REAR and ROAD WHEELS	NF
PROPELLOR SHAFT	PF
BRAKES AND CONTROLS	QF
STEERING and CONTROLS	RF
SUSPENSION — REAR	SF
RADIATOR	TF
PETROL (Fuel) SYSTEM	UF
EXHAUST SYSTEM	VF
ELECTRICAL EQUIPMENT	WF
BODY MOUNTING	XF
BODY FITTINGS	YXF
SPECIAL ACCESSORIES	ZUF
TOOLS	ZVF
PARTS and SERVICE PUBLICATIONS	ZXF
NUMERICAL INDEX	ZZF

I  
N  
D  
E  
X

# INDEX

	Page No.		Page No.
<b>AXLE — REAR AND ROAD WHEELS</b>		<b>ENGINE (Motor)—continued</b>	
Axle Casing ... ..	NF1	Mountings—Engine (Motor) ... ..	AF7
Axle Shaft ... ..	NF1	Oil Filter Element ... ..	AF4
Crown Wheel (Ring Gear) and Bevel Pinion	NF1	Oil Pump ... ..	AF3
Differential Components ... ..	NF1	Pistons ... ..	AF1
Driver Coupling (Companion Flange) ...	NF1	Rocker Arm ... ..	AF5
Hubs c/w Bolts ... ..	NF2	Suction Pipe—Distributor Auto Control ...	AF6
Road Wheels ... ..	NF2	Sump ... ..	AF4
Panhard Rod ... ..	NF2	Thermostat ... ..	AF5
Wheel Trim ... ..	NF2	Timing Cover ... ..	AF1
<b>BODY FITTINGS</b> ... ..	YXF1 - YXF2	Water Pump ... ..	AF5
<b>BODY MOUNTING</b> ... ..	XF1	Ventilation—Crankcase ... ..	AF7
<b>BRAKES AND CONTROLS</b>		<b>EXHAUST SYSTEM</b> ... ..	VF1
Brake Fluid ... ..	QF1	<b>GEARBOX (Transmission) UNIT</b>	
Brake Pipes ... ..	QF1	1st Speed Wheel ... ..	GF1
Brake Pedal ... ..	QF1	2nd Speed Wheel ... ..	GF1
Hose ... ..	QF1	3rd Speed Wheel ... ..	GF1
<b>CARBURETTOR</b> ... ..	CF1 - CF3	Baulking Rings ... ..	GF1
Gasket Set ... ..	CF3	Cross Tube, Rear Engine Mounting ...	GF3
Repair Kit ... ..	CF3	Gearshift Lever Assembly ... ..	GF3
Tune-up Kit ... ..	CF3	Insulator—Rear Mounting ... ..	GF3
<b>CARBURETTOR CONTROLS (R.H.D.)</b> ...	DF1	Layshaft Cluster (Countershaft Gears) ...	GF1
<b>CARBURETTOR CONTROLS (L.H.D.)</b> ...	DF2	Mainshaft ... ..	GF1
<b>CLUTCH AND CONTROLS</b>		Input (Primary) Shaft (Stemwheel) ...	GF1
Clutch Cover ... ..	FF1	Reverse Idler Wheel (Gear) ... ..	GF1
Clutch Pedal ... ..	FF1	Rods—Gear Shift ... ..	GF3
Master Cylinder ... ..	FF1	Selector Forks ... ..	GF2
Slave Cylinder ... ..	FF1	Speedometer Cables ... ..	GF2
<b>ELECTRICAL EQUIPMENT</b>		Speedometer Driving Wheel (Gear) ...	GF1
Battery ... ..	WF4	Speedometer Driving Pinion ... ..	GF2
Cables and Grommets ... ..	WF4	Top Cover ... ..	GF2
Distributor ... ..	WF3 - WF4	<b>NUMERICAL INDEX</b> ... ..	ZZF1 - ZZF5
Dynamo (Generator) ... ..	WF3	<b>PARTS AND SERVICE PUBLICATIONS</b> ...	ZXF1
Horn ... ..	WF4	<b>PETROL (Fuel) PUMP</b> ... ..	BF1 - BF2
Ignition Coil ... ..	WF4	Mountings ... ..	BF2
Instruments ... ..	WF1	<b>PETROL (Fuel) SYSTEM</b> ... ..	UF1
Spark Plugs ... ..	WF4	<b>PROPELLOR SHAFT</b> ... ..	PF1
Starter (Motor) ... ..	WF2	<b>RADIATOR</b> ... ..	TF1
Starter Relay ... ..	WF1	<b>SUSPENSION — FRONT</b>	
Voltage Regulator ... ..	WF1	Coil Spring ... ..	MF1
<b>ENGINE (Motor)</b>		Crossmember ... ..	MF1
Air Cleaner ... ..	AF6	Lower Links ... ..	MF1
Big End Bearing ... ..	AF1	Steering Arms ... ..	MF1
Conn. Rod ... ..	AF1	<b>SUSPENSION — REAR</b>	
Camshaft ... ..	AF3	Shock Absorber ... ..	SF1
Camshaft Bearing Kit ... ..	AF3	Spring—Road ... ..	SF1
Crankshaft ... ..	AF3	<b>STEERING AND CONTROLS</b>	
Cylinder Block ... ..	AF1	Cowls—Steering Column ... ..	RF2
Cylinder Head ... ..	AF4	Handwheel ... ..	RF1
Exhaust Valve ... ..	AF4	Rack and Pinion ... ..	RF1
Fan Belt ... ..	AF6	Support Bracket ... ..	RF1
Fan Blade ... ..	AF6	Universal Steering Joint ... ..	RF1
Flywheel and Starter Ring (Gear) ...	AF3	Upper Column ... ..	RF1
Gasket Sets ... ..	AF8	<b>SPECIAL ACCESSORIES</b> ... ..	ZUF1
Inlet Valve ... ..	AF4	<b>TOOLS</b> ... ..	ZVF1
Main Bearing Set ... ..	AF1 - AF2		
Manifolds ... ..	AF5		

# SECTION AF

## ENGINE (Motor)

ENGINE (Motor)

Plate Ref.	Rootes Part Number	Ford Part Number	DESCRIPTION	No. per Veh.	REMARKS
A1	6100503	C40Z-6009-B	CYLINDER ASSEMBLY ... ..	1	Includes items marked *
	6100502	C40Z-6010-B	*CYLINDER BLOCK (3.8" Bore) ... ..	1	
A2	6100548	73249-S	Dowel, $\frac{3}{8}$ " x $\frac{3}{8}$ "—Cylinder block to Clutch housing	2	
	6100549	376099-S	Plug, $\frac{1}{2}$ " (Rear cup type)—Cylinder block ... ..	1	
A3	6100511	B2A-6026-B	Plug, .270/.275" O.D. x 20" long (Acorn shaped)—Cylinder block (at Distributor boss) ... ..	1	
C4	6100567	C20Z-6345-A	Bolt—Main bearing caps, $\frac{1}{8}$ " x 3.15"	10	
	6100367	JB-6095-A	Cover—Petrol (Fuel) pump aperture ... ..	1	
	6100293	JB-9417-B	Gasket—Cover ... ..	1	
	6100561	20346-S8	Bolt, $\frac{1}{8}$ " x $\frac{1}{2}$ " Hex. head } Cover ... ..	2	
	6100562	34806-S7	Washer, $\frac{1}{8}$ " lock ... ..	2	
A5	6100151	C4AZ-6019-A	TIMING COVER ... ..	1	
A6	6100550	376258-S	Bolt, $\frac{1}{8}$ " x $3\frac{1}{8}$ " ... } Water pump and	3	
A7	6100551	376259-S	Bolt, $\frac{1}{8}$ " x $4\frac{1}{2}$ " Hex. } timing cover to block ... ..		
A8	6100552	376256-S	Bolt, $\frac{1}{8}$ " x 1" Hex. Washer hd. } Timing cover ... ..	5	
A9	6100553	376257-S	Bolt, $\frac{1}{8}$ " x 2" Hex. Washer hd. } to block ... ..	1	
A10	6100435	C40Z-6020-A	Gasket—Timing cover to block ... ..	1	
A11	6100216	C3AZ-6700-A	Oil seal—Timing cover ... ..	1	
	6100512	C20Z-6108-L	*PISTON ASSEMBLY—Solid—3 ring grooves, Standard Red. 3-7979" ... ..	8	
C12	6100513	C20Z-6108-M	Piston Assembly—Solid—3 ring grooves, .020" o/s ... ..	8	
	6100514	C20Z-6108-N	Piston Assembly—Solid—3 ring grooves, .030" o/s ... ..	8	
	6100515	C20Z-6108-R	Piston Assembly—Solid—3 ring grooves, .040" o/s ... ..	8	
	6100516	C20Z-6108-S	Piston Assembly—Solid—3 ring grooves, .060" o/s ... ..	8	
C13	6100517	B2AZ-6135-A	Gudgeon pin—Standard. Green, 9120"/.9123" O.D., .595"/.605" I.D. x 3.016"/3.030" long ... ..	8	
C14	6100518	B6AZ-6148-A	*Partial ring set—Piston—Hilo Standard, ... ..	4	Not supplied
	6100519	B6AZ-6148-B	Partial ring set—Piston—Hilo, .020" o/s } To re-	4	
	6100520	B6AZ-6148-C	Partial ring set—Piston—Hilo, .030" o/s } ring ... ..	4	
		B6AZ-6148-D	Partial ring set—Piston—Hilo, .040" o/s } 2 pistons ... ..	4	
C15	6100522	C2AZ-6148-B	Partial ring set—Piston—Hilo, .060" o/s ... ..	4	
	6100154	C3AZ-6200-D	*CONNECTING ROD ASSEMBLY ... ..	8	
C16	6100523	C20Z-6211-H	*BIG END BEARING—Standard Red—Size .0571" ... ..	16	
	6100524	C20Z-6211-J	*BIG END BEARING—Standard Blue—Size .0572" ... ..	16	
	6100525	C20Z-6211-C	Big End Bearing, .002" u/s ... ..	16	
	6100526	C20Z-6211-L	Big End Bearing, .010" u/s ... ..	16	
	6100527	C20Z-6211-M	Big End Bearing, .020" u/s ... ..	16	
	6100528	C20Z-6211-F	Big End Bearing, .030" u/s ... ..	16	
C17	6100530	C3AZ-6214-A	*Bolt, $\frac{1}{8}$ " x 2.08" } Connecting ... ..	16	
C18	6100529	C3DZ-6212-A	*Nut, $\frac{1}{8}$ " Hex. } rod ... ..	16	
			STANDARD MAIN BEARINGS—UPPER		
C19	6100175	C3AZ-6333-A	*Main Bearing—Standard Red, .0956" upper front ... ..	1	
C20	6100175	C3AZ-6333-A	*Main Bearing—Standard Red, .0956" upper front inter. ... ..	1	
C21	6100176	C3AZ-6337-A	*Main Bearing—Standard Red, .0956" upper centre ... ..	1	
C22	6100175	C3AZ-6333-A	*Main Bearing—Standard Red, .0956" upper rear inter. ... ..	1	
C23	6100175	C3AZ-6333-A	*Main Bearing—Standard Red, .0956" rear ... ..	1	
	6100177	C3AZ-6333-B	*Main Bearing—Standard Blue, .0960" upper front ... ..	1	
	6100177	C3AZ-6333-B	*Main Bearing—Standard Blue, .0960" upper front inter. ... ..	1	
	6100178	C3AZ-6337-B	*Main Bearing—Standard Blue, .0960" upper centre ... ..	1	
	6100177	C3AZ-6333-B	*Main Bearing—Standard Blue, .0960" upper rear inter. ... ..	1	
	6100177	C3AZ-6333-B	*Main Bearing—Standard Blue, .0960" upper rear ... ..	1	

ENGINE (Motor)

Plate Ref.	Rootes Part Number	Ford Part Number	DESCRIPTION	No. per Veh.	REMARKS
			<b>UNDERSIZE MAIN BEARINGS—UPPER</b>		
	6100179	C3AZ-6333-C	Main Bearing, -002" u/s, upper front ... ..	1	
	6100179	C3AZ-6333-C	Main Bearing, -002" u/s, upper front inter. ... ..	1	
	6100180	C3AZ-6337-C	Main Bearing, -002" u/s, upper centre ... ..	1	
	6100179	C3AZ-6333-C	Main Bearing, -002" u/s, upper rear inter. ... ..	1	
	6100179	C3AZ-6333-C	Main Bearing, -002" u/s, upper rear ... ..	1	
	6100181	C3AZ-6333-D	Main Bearing, -010" u/s, upper front ... ..	1	
	6100181	C3AZ-6333-D	Main Bearing, -010" u/s, upper front inter. ... ..	1	
	6100182	C3AZ-6337-D	Main Bearing, -010" u/s, upper centre ... ..	1	
	6100181	C3AZ-6333-D	Main Bearing, -010" u/s, upper rear inter. ... ..	1	
	6100181	C3AZ-6333-D	Main Bearing, -010" u/s, upper rear ... ..	1	
	6100183	C3AZ-6333-E	Main Bearing, -020" u/s, upper front ... ..	1	
	6100183	C3AZ-6333-E	Main Bearing, -020" u/s, upper front inter. ... ..	1	
	6100184	C3AZ-6337-E	Main Bearing, -020" u/s, upper centre ... ..	1	
	6100183	C3AZ-6333-E	Main Bearing, -020" u/s, upper rear inter. ... ..	1	
	6100183	C3AZ-6333-E	Main Bearing, -020" u/s, upper rear ... ..	1	
	6100185	C3AZ-6333-F	Main Bearing, -030" u/s, upper front ... ..	1	
	6100185	C3AZ-6333-F	Main Bearing, -030" u/s, upper front inter. ... ..	1	
	6100186	C3AZ-6337-F	Main Bearing, -030" u/s, upper centre, ... ..	1	
	6100185	C3AZ-6333-F	Main Bearing, -030" u/s, upper rear inter. ... ..	1	
	6100185	C3AZ-6333-F	Main Bearing, -030" u/s, upper rear ... ..	1	
			<b>STANDARD MAIN BEARINGS—LOWER</b>		
C24	6100187	C3AZ-6333-H	*Main Bearing—Standard Red, -0956", lower front ... ..	1	
C25	6100187	C3AZ-6333-H	*Main Bearing—Standard Red, -0956", lower front inter. ... ..	1	
C26	6100188	C3AZ-6337-H	*Main Bearing—Standard Red, -0956", lower centre ... ..	1	
C27	6100187	C3AZ-6333-H	*Main Bearing—Standard Red, -0956", lower rear inter. ... ..	1	
C28	6100187	C3AZ-6333-H	*Main Bearing—Standard Red, -0956", lower rear ... ..	1	
	6100189	C3AZ-6333-J	*Main Bearing—Standard Blue, -0960", lower front ... ..	1	
	6100189	C3AZ-6333-J	*Main Bearing—Standard Blue, -0960", lower front inter. ... ..	1	
	6100190	C3AZ-6337-J	*Main Bearing—Standard Blue, -0960", lower centre ... ..	1	
	6100189	C3AZ-6333-J	*Main Bearing—Standard Blue, -0960", lower rear inter. ... ..	1	
	6100189	C3AZ-6333-J	*Main Bearing—Standard Blue, -0960", lower rear ... ..	1	
			<b>UNDERSIZE MAIN BEARINGS—LOWER</b>		
	6100191	C3AZ-6333-K	Main Bearing, -002" u/s, lower front ... ..	1	
	6100191	C3AZ-6333-K	Main Bearing, -002" u/s, lower front inter. ... ..	1	
	6100192	C3AZ-6337-K	Main Bearing, -002" u/s, lower centre ... ..	1	
	6100191	C3AZ-6333-K	Main Bearing, -002" u/s, lower rear inter. ... ..	1	
	6100191	C3AZ-6333-K	Main Bearing, -002" u/s, lower rear ... ..	1	
	6100193	C3AZ-6333-L	Main Bearing, -010" u/s, lower front ... ..	1	
	6100193	C3AZ-6333-L	Main Bearing, -010" u/s, lower front inter. ... ..	1	
	6100194	C3AZ-6337-L	Main Bearing, -010" u/s, lower centre ... ..	1	
	6100193	C3AZ-6333-L	Main Bearing, -010" u/s, lower rear inter. ... ..	1	
	6100193	C3AZ-6333-L	Main Bearing, -010" u/s, lower rear ... ..	1	
	6100195	C3AZ-6333-M	Main Bearing, -020" u/s, lower front ... ..	1	
	6100195	C3AZ-6333-M	Main Bearing, -020" u/s, lower front inter. ... ..	1	
	6100196	C3AZ-6337-M	Main Bearing, -020" u/s, lower centre ... ..	1	
	6100195	C3AZ-6333-M	Main Bearing, -020" u/s, lower rear inter. ... ..	1	
	6100195	C3AZ-6333-M	Main Bearing, -020" u/s, lower rear ... ..	1	
	6100197	C3AZ-6333-N	Main Bearing, -030" u/s, lower front ... ..	1	
	6100197	C3AZ-6333-N	Main Bearing, -030" u/s, lower front inter. ... ..	1	
	6100198	C3AZ-6337-N	Main Bearing, -030" u/s, lower centre ... ..	1	
	6100197	C3AZ-6333-N	Main Bearing, -030" u/s, lower rear inter. ... ..	1	
	6100197	C3AZ-6333-N	Main Bearing, -030" u/s, lower rear ... ..	1	

ENGINE (Motor)

Plate Ref.	Rootes Part Number	Ford Part Number	DESCRIPTION	No. per Veh.	REMARKS
C29	6100156	C3AZ-6303-F	<b>*CRANKSHAFT</b> ... ..	1	
C30	6100157	C2OZ-6306-A	*Sprocket—Crankshaft (21 teeth) ... ..	1	
C31	6100565	372890-S	Key—Sprocket to crankshaft, ( $\frac{3}{8}$ " $\times$ 1.40") ... ..	1	
C32	6100158	C3OZ-6310-B	Oil slinger } ... ..	1	
C33	6100031	C4JZ-6312-A	Pulley } Crankshaft ... ..	1	
C34	6100174	C4OZ-6316-A	Damper } ... ..	1	
C35	6100501	20348-S8	Bolt, $\frac{3}{8}$ " $\times$ .75" long } Pulley ... ..	3	
C36	6100566	34807-S	Washer—lock, $\frac{3}{8}$ " } to damper ... ..	3	
C37	6100536	B8A-6378-A	Washer—Crankshaft pulley or Damper retainer ... ..	1	
C38	6100666	359915-S	Bolt—Crankshaft pulley washer ..... ..	1	
C39	6100139	C2OZ-6701-A	Seal—Crankshaft rear ... ..	2	
C40	6100442	C4OZ-6375-A	<b>FLYWHEEL AND STARTER RING (Gear)</b> ... ..	1	
C41	6100159	C2OZ-6384-A	Starter ring (Gear)—160 teeth—13.258" O.D. ... ..	1	
C42	6100568	B8A-6379-A	Bolt, $\frac{1}{8}$ " $\times$ 1 $\frac{1}{8}$ "—Flywheel to crankshaft ... ..	6	
C43	6100441	C3OZ-6250-B	<b>*CAMSHAFT, less gear</b> ... ..	1	
	6100162	C2OZ-6A251-A	<b>BEARING KIT—STANDARD</b> ... ..	1	
C44	6100163	C2OZ-6261-A	*Bearing, front ... ..	1	
C45	6100166	C2OZ-6267-A	*Bearing, front intermediate ... ..	1	
C46	6100164	C2OZ-6262-A	*Bearing, centre ... ..	1	
C47	6100167	C2OZ-6270-A	*Bearing, rear intermediate ... ..	1	
C48	6100165	C2OZ-6263-A	*Bearing, rear ... ..	1	
	6100169	C2OZ-6261-B	Bearing, .015" u/s, front ... ..	1	} Camshaft
	6100170	C2OZ-6267-B	Bearing, .015" u/s, front intermediate ... ..	1	
	6100171	C2OZ-6262-B	Bearing, .015" u/s, centre ... ..	1	
	6100172	C2OZ-6270-B	Bearing, .015" u/s, rear intermediate ... ..	1	
	6100173	C2OZ-6263-B	Bearing, .015" u/s, rear ... ..	1	
C49	6100532	C2OZ-6266-A	Sealing disc—Rear bearing ... ..	1	
C50	6100168	C3OZ-6256-C	<b>*Sprocket—42 teeth</b> ... ..	1	
C51	6100531	C2OZ-6265-A	Spacer—Sprocket ... ..	1	
C52	6100533	C3OZ-6269-B	Thrust plate ... ..	1	
	6100563	20324-S8	Bolt, $\frac{1}{4}$ " $\times$ $\frac{3}{8}$ " hex. head—Thrust plate to sprocket ... ..	2	
C53	6100564	375932-S	Screw, $\frac{1}{4}$ " $\times$ $\frac{3}{8}$ "—Thrust plate to block ... ..	2	
C54	6100534	C2OZ-6278-A	Washer—Camshaft sprocket ... ..	1	
C55	6100535	C3AZ-6287-B	Eccentric—Camshaft fuel pump drive ... ..	1	
C56	6100671	376058-S	Bolt ... ..	1	} Sprocket
C57	6100566	34807-S	Washer—Spring } to camshaft ... ..	1	
C58	6100155	C2OZ-6268-A	<b>TIMING CHAIN (58 links)</b> ... ..	1	
A59	6100445	C2OZ-6600-A	<b>OIL PUMP—Rotor type</b> ... ..	1	
A60	6100137	C2OZ-6626-A	Gasket—Oil pump screen cover and inlet tube ... ..	1	
A61	6100138	C2OZ-6659-A	Gasket—Oil pump to block ... ..	1	
A62	6100446	B8A-6608-A	Rotor and shaft assembly—Oil pump drive ... ..	1	
A63	6100214	B8A-6616-C	Plate—Oil pump body ... ..	1	
A64	6100540	C2OZ-6A616-A	Plug ... ..	1	} Oil pump body relief valve
A65	6100495	C2OZ-6674-A	Plunger ... ..	1	
A66	6100494	C2OZ-6670-A	Spring ... ..	1	
A67	6100541	C2OZ-6A618-A	Shaft—7.44" long—Oil pump intermediate ... ..	1	
A68	6100542	B8A-6629-A	Retaining ring, .52" O.D.—6 prongs ... ..	1	
A69	6100437	C3OZ-6622-A	Screen, Tube and cover assy.—Oil pump ... ..	1	
A70	1224808		Oil level indicator (Dipstick)... ..	1	
A71	6100498	C2OZ-6754-A	Tube—Oil level indicator (Dipstick) ... ..	1	
			Bolt—Tube to cylinder head—See Dynamo (Generator) Section		

ENGINE (Motor)

Plate Ref.	Rootes Part Number	Ford Part Number	DESCRIPTION	No. per Veh.	REMARKS
A72	6100447	C3OZ-6675-A	SUMP (Oil pan) (Must be used with C3OZ-6622-A)	1	} Not supplied separately (Includes items marked *)
A73	6100497	C3AZ-6730-A	Drain plug—Sump (Oil pan)	1	
A74	6100143	C2OZ-6734-A	*Gasket—Drain plug (Nylon)	1	
A75		C2OE-6710-B	*Gasket, R.H. } Cork and rubber	1	
A76		C2OE-6711-B	*Gasket, L.H. } -09" thick	1	
AC77		C2OE-6723-A	*Seal—Front and rear (Rubber)	2	
	6100217	C2OZ-6781-A	Gasket set—Sump (Oil pan)	1	
D78	6100448	C1AZ-6731-A	OIL FILTER ELEMENT (With Gaskets)—Disposable "Spin on" type	1	
D79	1224768		Adaptor—Oil filter to hoses	1	
D80	1224730		Bolt, special	1	
D81	9078049		Joint washer } Adaptor	1	
D82	1224819		HOSE—Short } Oil filter	1	
D83	1224820		HOSE—Long } to engine (Motor)	1	
D84	1224767		Adaptor—Hoses to engine (Motor)	1	
D85	1224728		Gasket—Adaptor to engine (Motor)	1	
D86	1224729		Bolt, special	1	
D87	9078049		Joint washer } Adaptor	1	
D88	1224900		Mounting bracket—Oil filter	1	
	5220699		Screw, 3/8" U.N.C. x 1/2" hex. } Oil filter bracket	2	
	9661241		Spring washer, 3/8" } to engine (Motor)	2	
D89	1224753		Clamp—Oil filter mounting bracket	1	
	19505061		Screw, 1/8" U.N.F. x 1/2"	1	
	5200485		Spring washer, 1/8"	1	
	5220701		Nut, 1/8" U.N.F.	1	
B90	6100152	C4OZ-6049-A	CYLINDER HEAD	2	
B91	6100537	C2OZ-6A527-D	Stud, .003" o/s (2) .015" deep grooves—Valve rocker arm shaft support	16	
A92	6100510	C2OZ-6A008-A	Dowel, .676" O.D. x .44" long (split)—Cylinder head to block	4	
A93	6100359	376053-S	Plug, 1 1/8" O.D. cup type—Cylinder head end	2	
	6100360	370352-S	Plug—Cylinder head core holes	2	
AB94	6100134	C2OZ-6051-C	Gasket—Cylinder head to block	2	
B95	6100361	C2OZ-6065-A	Bolt, 1/8" x 2.26"/2.32" } Cylinder	10	
B96	6100362	C2OZ-6065-B	Bolt, 1/8" x 3.88"/3.94" } head	10	
			Temperature transmitter (As Alpine)—See Electrical Section.		
D97	1224824		Housing—Temperature transmitter	1	} (When Heater not fitted) When heater fitted
	1224826		Housing—Temperature transmitter	1	
	1224827		"T" piece—Water return	1	
B98	6100204	C3AZ-6507-A	INLET (Intake) VALVE—Standard stem dia., .3420"	8	
	6100205	C3AZ-6507-B	Inlet (Intake) Valve—Stem size .003", dia .3449"	8	
	6100206	C3AZ-6507-C	Inlet (Intake) Valve—Stem size .015", dia .3569"	8	
	6100207	C3AZ-6507-D	Inlet (Intake) Valve—Stem size .030", dia .3719"	8	
B99	6100200	C3AZ-6505-J	EXHAUST VALVE—Standard, stem dia .3410"	8	
	6100201	C3AZ-6505-K	Exhaust Valve—Stem size .003", dia .3439"	8	
	6100202	C3AZ-6505-L	Exhaust Valve—Stem size .015", dia .3559"	8	
	6100203	C3AZ-6505-M	Exhaust Valve—Stem size .030", dia .3709"	8	
B100	6100208	B6A-6513-A	Valve Spring (7 coils—2.09" free length)	16	
B101	6100436	C3AZ-6571-B	Seal—Valve guide and valve stem	16	
B102	6100209	C3AZ-6514-B	Retainer—Valve spring	16	
	6100499	B3Q-6515-A	Spacer—Valve spring (1.36" O.D. x .995"/1.005" I.D. .030" thick)	A/R	
B103	6100210	7HA-6518-A	Cotter—Valves	32	



ENGINE (Motor)

Plate Ref.	Rootes Part Number	Ford Part Number	DESCRIPTION	No. per Veh.	REMARKS
	6100211	C2OZ-6524-A	Baffle—Valve push rod valley ... ..	1	
B104	6100199	C2OZ-6500-A	TAPPET—Hydraulic (.8740/.8745" O.D.—2" long)	16	
B105	6100213	C2OZ-6565-B	Push rod (6.825" long) ... ..	16	
B106	6100212	C2OZ-6564-A	ROCKER ARM ... ..	16	
B107	6100500	C2OZ-6A528-A	Fulcrum seat—Rocker arm ... ..	16	
B108	6100670	C2DZ-6A529-A	Nut—Rocker stud ... ..	16	
D109	6100443	C4DZ-6582-A	Rocker cover, O/S (R.H.) } Chrome	1	
D110	6100444	C4DZ-6582-B	Rocker cover, N/S (L.H.) }	1	
	6100136	C2OZ-6584-A	Gasket—Rocker cover (.17" thick) ... ..	2	
D111	1229842		Cap—Oil filler (chrome) ... ..	1	
A112	6100282	C4JE-8501-A	WATER PUMP UNIT ... ..	1	
A113	6100285	C4OZ-8530-A	Shaft and bearing ... ..	1	
A114	6100286	B9ME-8553-A	Hub—Pulley ... ..	1	
A115	6100287	B2AZ-8564-A	Seal ... ..	1	
A116	6100284	C4OZ-8512-B	Impellor ... ..	1	
A117	6100146	C2OZ-8507-B	Gasket—Housing ... ..	1	
	6100290	C2OZ-8597-A	By-pass hose ... ..	1	
A118	6100288	C2UZ-8575-B	THERMOSTAT—160°F. ... ..	1	
A119	6100289	C3OZ-8594-B	WATER (Top) OUTLET PIPE ... ..	1	
A120	6100145	C3OZ-8255-A	Gasket—Water outlet pipe to cylinder head ... ..	1	
MANIFOLDS					
A121	6100247	C4OZ-9424-A	INDUCTION MANIFOLD ... ..	1	} Not supplied separately
B122		C2OZ-9441-A	Gasket—Induction manifold to cylinder heads ... ..	2	
A123		C2OZ-9A424-A	Seal—Rear } Induction Manifold	1	
A124		C2OZ-9A425-A	Seal—Front } to cylinder block ... ..	1	
D125	1224642		EXHAUST MANIFOLD, O/S (R.H.) ... ..	1	
D126	6100043	C2OE-9A714-A	Insert—Carb. thermostat choke control ... ..	1	
D127	6100044	C4OE-9C786	Adaptor—Thermostatic choke control inlet tube ... ..	1	
B128	6100296	C3DZ-9431-A	EXHAUST MANIFOLD, N/S (L.H.) ... ..	1	
B129	6100040	C2OZ-9A447-A	Locking tab—Exhaust manifold mounting bolt ... ..	8	
B130	6100602	304722-S2	Bolt, 1/2" x 1 1/4" long } Exhaust manifolds ... ..	8	
B131	6100603	304830-S2	Bolt, 1/2" x 2" long } to cylinder heads ... ..	8	
CARBURETTOR					
	6100604	88471-S	Carburettor—See Carburettor section.		
	6100358	C3OE-9C525-B	Stud, 3/8" x 2 1/4"—Carburettor to intake manifold... ..	4	
A132	6100298	C2OZ-9447-C	Connector: } Carburettor to Induction ... ..	1	
A133	6100457	C2AZ-9A589-H	Gasket } Manifold Spacer ... ..	1	
A134	6100298	C2OZ-9447-C	Spacer—Carburettor to intake manifold ... ..	1	
D135	6100025	C3AZ-9654-B	Gasket—Spacer to intake manifold ... ..	1	
D136	6100036	C4OE-9819-A	Gasket—Carburettor to air cleaner ... ..	1	
			Tube—Choke thermostat housing to o/s (R.H.) exhaust manifold ... ..	1	
D137	6100037	C4OE-9865-A	Insulating sleeve—Thermo choke tube ... ..	1	
D138	6100038	357940-S	Olive } Tube to choke ... ..	1	
D139	6100618	357980-S	Nut } thermostat housing... ..	1	

ENGINE (Motor)

Plate Ref.	Rootes Part Number	Ford Part Number	DESCRIPTION	No. per Veh.	REMARKS	
<b>AIR CLEANER</b>						
D140	1224830		<b>AIR CLEANER</b> ... .. 1		} Not supplied	
D141			Bottom plate ... .. 1			
D142			Top plate ... .. 1			
D143	5042656		Element seating gasket ... .. 2			
D144	5042655		Element ... .. 1			
D145	1224657		Stud—Air cleaner ... .. 1			
D146	9550040		Nut, 1/2" U.N.C. } Air cleaner ... .. 1			
D147	9067015		Washer, 1/2" plain } to stud ... .. 1			
	1224805		Hose—Engine (Motor) breather to air cleaner ... .. 1			
	9782141		Clip—Hose ... .. 2			
D148	1224893		Rubber tube—Air cleaner to choke control breather ... .. 1			
D149	1224892		Breather tube (Bundy 17 1/2" long)—Thermo choke adaptor to Air Cleaner ... .. 1			
			Adaptor—Thermo choke—See Exhaust Manifold.			
<b>DYNAMO (Generator)</b>						
			<b>DYNAMO (Generator)</b> —See Electrical Section ... .. 1			Up to B9471618 From B9471619
	6100021	C4JZ-10039-A	Bracket—Dynamo (Generator) mounting ... .. 1			
	6100698	C4JZ-10039-B	Bracket—Dynamo (Generator) mounting ... .. 1			
	1229843		Arm—Dynamo (Generator) adjusting, R.H.D. ... .. 1			
	6100022	C4JZ-10145-A	Arm—Dynamo (Generator) adjusting, L.H.D. ... .. 1			
	6100620	304781-S8	Bolt, 3/8" x 1 1/2" Hex. hd. } ... .. 1			
	6100621	20410-S8	Bolt, 3/8" x 1 1/2" Hex. hd. } Dynamo (Generator) ... .. 1			
	6100581	34808-S8	Lockwasher, 3/8" } to mounting bracket ... .. 2			
	6100623	33801-S8	Nut, 3/8" Hex. } ... .. 2			
	6100594	20388-S8	Bolt, 3/4" x 1" } Adjusting ... .. 1			
	6100566	34807-S8	Lockwasher, 3/4" } arm to ... .. 1			
	6100588	44727-S8	Washer 3/4" plain } Dynamo (Generator) ... .. 1			
	6100597	20386-S8	Bolt, 3/8" x 1" Hex. } Adjusting ... .. 1			
	6100646	34806-S8	Lockwasher, 3/8" } arm to ... .. 1			
	6100599	44722-S8	Washer, 3/8" plain } block ... .. 1			
	6100619	43003-S8	Bolt, 3/4" x 1-62", Hex. hd.—Self locking—Dipstick tube and Dynamo (Generator) mounting bracket to cylinder head ... .. 3			
<b>STARTER</b>						
			<b>STARTER</b> —See Electrical Section			
	6100594	20388-S8	Bolt, 3/4" x 1" } Starter ... .. 2			
	6100595	34807-S8	Lockwasher, 3/4" } to clutch housing ... .. 2			
<b>FAN</b>						
A150	6100041	C4JZ-8600-B	<b>FAN BLADE</b> ... .. 1			
A151	6100033	C4JZ-8509-A	Fan pulley ... .. 1			
	6100593	20347-S	Bolt, 3/8" x 3/4"—Pulley to hub ... .. 4			
	1229823		Belt—Fan and Dynamo (Generator), R.H.D. ... .. 1			
D152	6100024	C2OZ-8620-E	Belt—Fan and Dynamo (Generator), L.H.D. ... .. 1			
<b>DISTRIBUTOR</b>						
			<b>DISTRIBUTOR</b> —See Electrical Section			
D153	1224812		Suction pipe—Distributor auto advance ... .. 1			

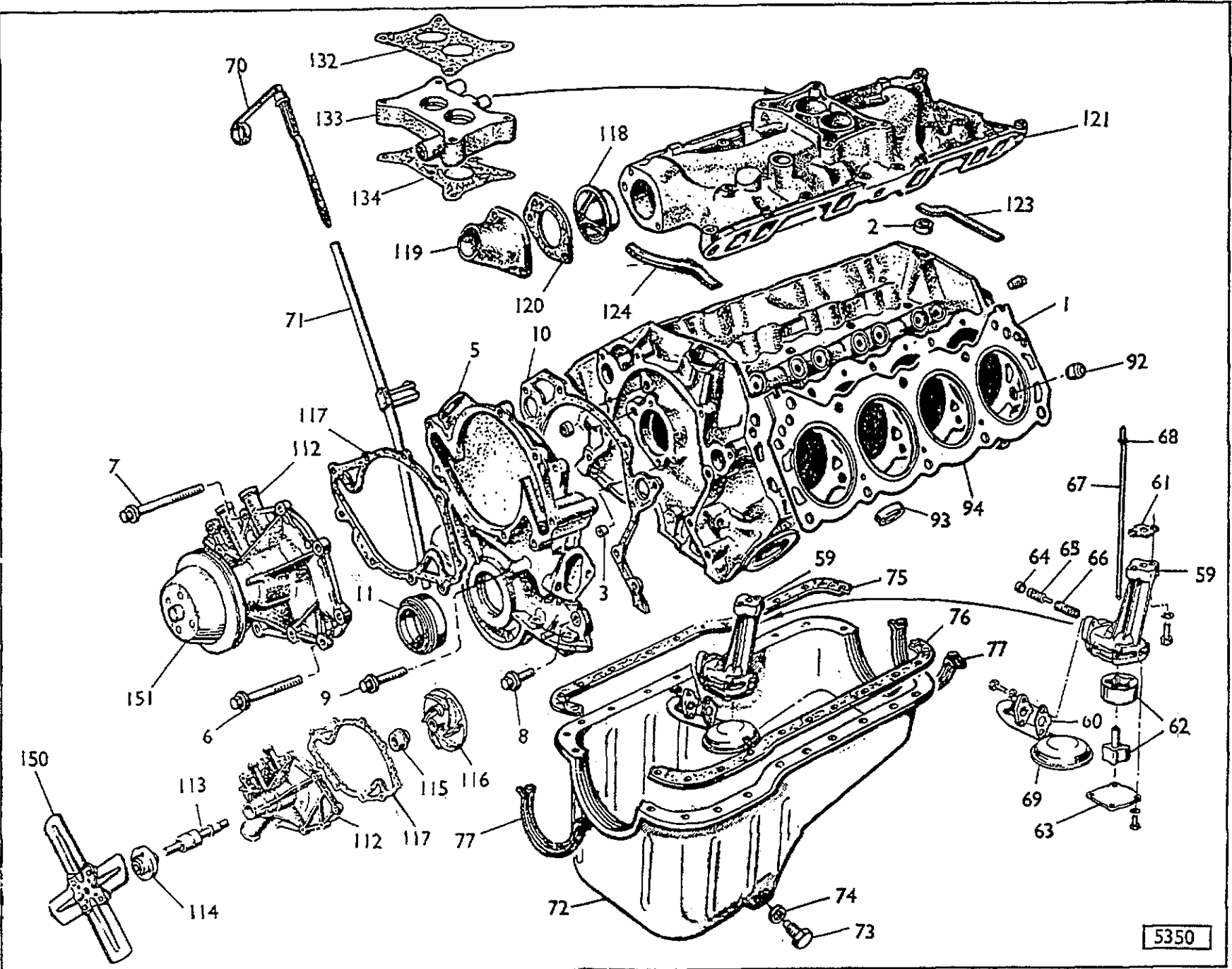
ENGINE (Motor)

Plate Ref.	Rootes Part Number	Ford Part Number	DESCRIPTION	No. per Veh.	REMARKS
			<b>IGNITION COIL</b> IGNITION COIL—See Electrical Section		
			<b>PETROL (Fuel) PUMP</b> PETROL (Fuel) PUMP MOUNTINGS—See Petrol (Fuel) Pump Section PETROL (Fuel) PUMP—See Petrol (Fuel) Pump Section PETROL (Fuel) PIPES—See Petrol (Fuel) System Section		
			<b>PETROL (Fuel) FILTER</b> PETROL (Fuel) FILTER—See Petrol (Fuel) System Section		
			<b>OIL GAUGE</b> OIL GAUGE—See Electrical Section. Nylon pipe c/w fittings—Oil gauge to Engine (Motor) ... Nylon pipe c/w fittings—Oil gauge to Engine (Motor) ... Grommet—Oil gauge pipe ... Adaptor—Pipe to block ...	1 1 1 1	R.H.D. L.H.D.
	1229801 1224759 9118550 9151205				
			<b>SPARKING PLUGS</b> SPARKING PLUG ... High Tension (Ignition) cable ...		
			<b>GEARBOX (TRANSMISSION) REAR SUPPORT</b> Transmission Rear Support—See Gearbox (Transmission) Section		
	6100161	C4IZ-6404-B	ENGINE (Motor) NAME PLATE Engine name plate ...	1	
			<b>CRANKCASE VENTILATION</b> Hose—Crankcase ventilation tube ... Clips—Hose ... Valve assembly—Crankcase ventilation regulator ... Adaptor } Ventilation ... Adaptor } regulator ...	1 2 1 1 1	
D154 D155 D156 D157 D158	6100538 6100669 6100215 6100667 6100668	C3DE-6A664-A 97331-S C3TZ-6A666-A 378754 378766-S			
			<b>ENGINE (Motor) MOUNTINGS</b> Support rubber, O/S (R.H.) } Front engine ... Support rubber, N/S (L.H.) } (Motor) mounting ... Heat shield ... Bolt, 5/8" x 1" long hex. hd. } Support rubbers ... Washer, 1/8" spring, lock } to Engine (Motor) ... Washer, 1/2" plain } Support rubbers ... Nut, 1/2" lock—Hex. } to brackets ... Bracket, O/S (R.H.) } Engine (Motor) ... Bracket, N/S (L.H.) } mounting ... Bolt, 3/4" U.N.F. x 3" } Mounting brackets ... Washer, 1/2" plain } to ... Washer, 1/2" shakeproof } side member ...	1 1 2 4 4 2 2 1 1 6 6 6	
D159 D160 D161	6100546 6100547 6100371 6100555 6100554 6100556 6100557 1224610 1224611 19106241 9067041 9664243	C3AZ-6038-G C3AZ-6038-H C3DZ-6CO38-A 20370-S8 34783-S7 373596-S100 376542-S100			

ENGINE (Motor)

Plate Ref.	Rootes Part Number	Ford Part Number	DESCRIPTION	No. per Veh.	REMARKS
	6100132	C20Z-6008-C	<p style="text-align: center;"><b>GASKET SETS</b></p> <p><b>COMPLETE ENGINE (Motor) OVERHAUL GASKET SET</b>                      Note. The above consists of Front cylinder, Cylinder head, Rocker cover, Oil tube flange, Oil pump to block, Sump, Vent tube, Water outlet, Water pump, Fuel pump and Inlet manifold gaskets. Also included are Valve stem, Crankshaft, Sump and Manifold Seals.</p>	1	
	6100153	C20Z-6079-C	<p><b>VALVE GRIND GASKET SET</b> ... ..                      Note. The above consists of Cylinder head, Rocker cover, Vent tube, Water outlet and Manifold gaskets. Also included are Valve Stem seals and Inlet Manifold seals.</p>	1	

ENGINE (Motor)



5350



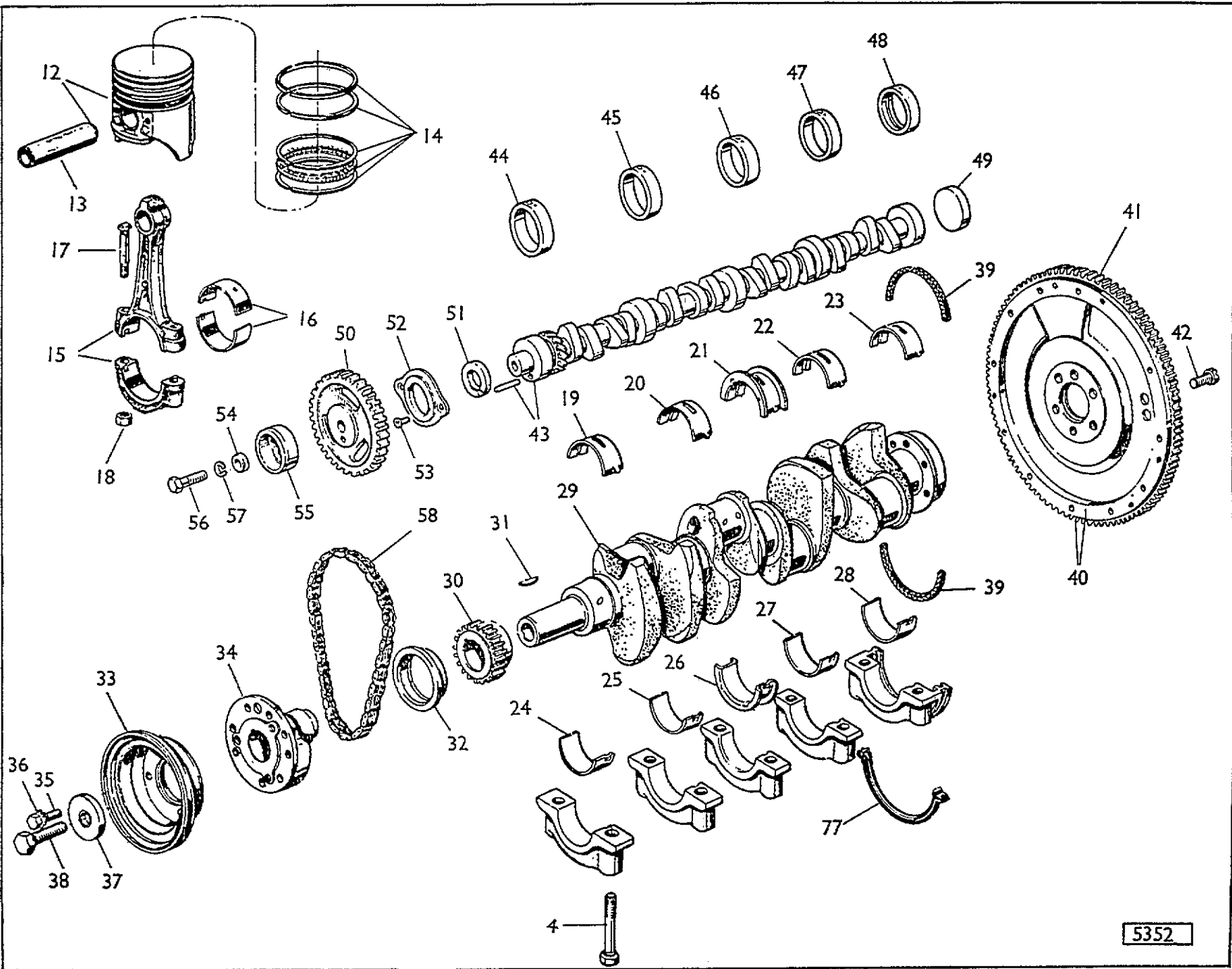


PLATE C - SECTION AF

# ENGINE (Motor)

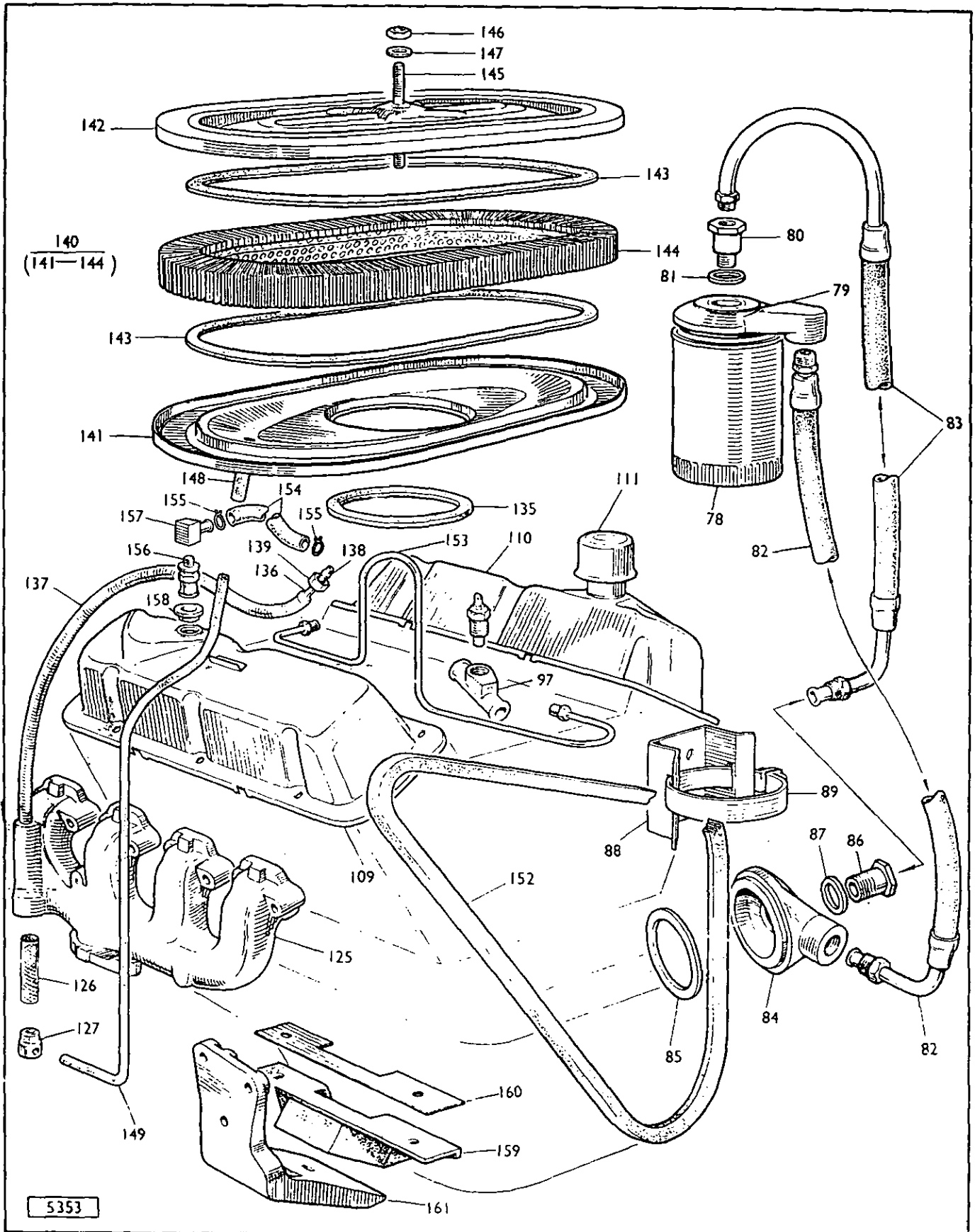


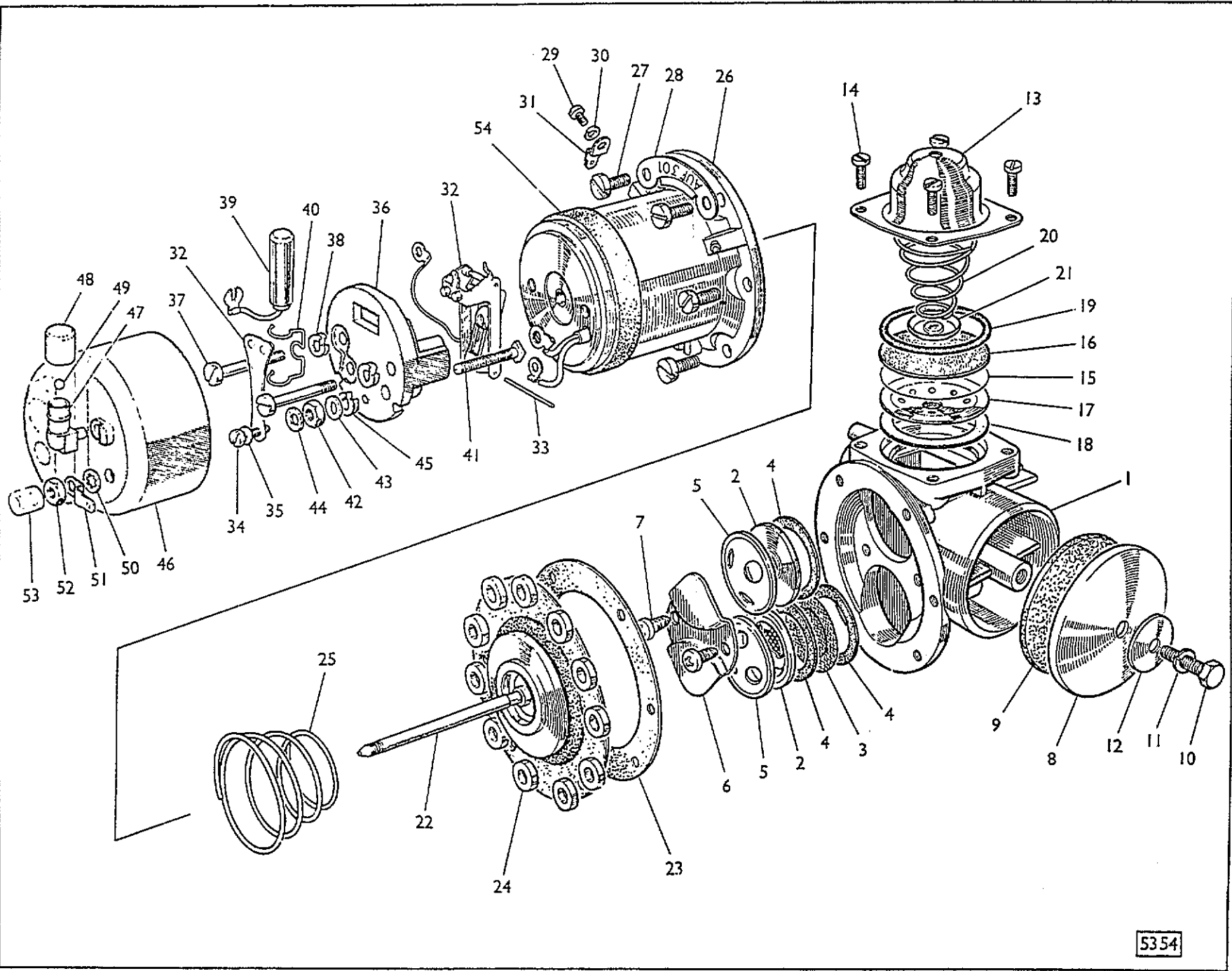
PLATE D - SECTION AF



## SECTION BF

### PETROL (Fuel) PUMP

PETROL (Fuel) PUMP



SECTION BF

2nd Issue

PETROL (Fuel) PUMP

Plate Ref.	Rootes Part Number	S.U. Part Number	DESCRIPTION	No. per Veh.	REMARKS
1	1224634	AUF 301/1	PETROL (Fuel) Pump ... ..	1	
2	5042633	AUB 662	Body ... ..	1	
3	5042634	AUB 6061 or 6031	Valve assembly—Inlet and Outlet ... ..	2	} Not supplied
4	5042636	AUB 617	Inlet filter ... ..	1	
5	5042635	AUB 618	Sealing washer ... ..	3	
6	5042637	AUB 652	Cover ... ..	2	
7		AUB 653	Clamp plate ... ..	1	
8		AUB 597	Screw—Self-tapping ... ..	2	
9	5042639	AUA 574	Dished cover ... ..	1	
10	5042638	AUA 573	Joint washer ... ..	1	
11	5042641	AUC 2694	Fixing bolt 2 B.A. ... ..	1	
12	9660121	AUC 2246	Spring washer ... ..	1	
13	5042640	AUA 575	Dished washer ... ..	1	
14	5042642	AUB 695	Cover—Air bottle ... ..	1	
15	5042649	AUC 2588	Screw, 4 B.A.—Cover to body ... ..	4	
16	5042645	AUB 696	DIAPHRAGM (Nylon) ... ..	1	
17	5042646	AUB 693	Support ... ..	1	
18	5042647	AUB 694	Plate ... ..	1	
19	5042650	AUB 675	Washer—Plate ... ..	1	
20	5042648	AUB 711	Sealing ring ... ..	1	
21	5042643	AUB 697	Spring ... ..	1	
22	5042644	AUB 698	Cap—Spring ... ..	1	
23	5042651	AUB 6071	DIAPHRAGM ASSEMBLY (Barrier) ... ..	1	
24	5042652	AUB 706	Joint Washer ... ..	1	
25	5042653	AUA 1433	Roller ... ..	11	
26	5042654	AUB 521	Spring ... ..	1	
27	5042657	AUB 6080	COIL HOUSING ... ..	1	
28	39033080	AUB 660	Screw, 2 B.A.—Coil housing to pump body ... ..	6	
29		AUB 687	Identity label ... ..	1	Not supplied
30	39031040	AUA 699	Earth screw—4 B.A. ... ..	1	
31		AUA 585	Spring washer ... ..	1	Not supplied
32	9227107	AUA 692	Lucar connector—Earth screw ... ..	1	
33	5042658	AUA 6021	ROCKER and BLADE ... ..	1	
34	5042661	AUA 1435	Spindle—Rockers ... ..	1	
35		AUA 565	Screw, 5 BA—Blade ... ..	1	Not supplied
36	5042659	AUA 566	Dished washer—Blade ... ..	1	
37	5042660	AUA 6034	PEDESTAL ... ..	1	
38	5042662	AUA 1459	Screw ... ..	2	
39		AUA 1863	Spring washer } to housing ... ..		Not supplied
40	5042667	AUA 5060	Condenser ... ..	1	
41	5042666	AUA 5059	Spring clip—Condenser ... ..	1	
42	5042663	AUA 1468	Terminal screw 2 B.A. ... ..	1	
43	5042664	AUA 1661	Terminal Nut ... ..	1	
44	5042665	AUA 1662	Lead washer ... ..	1	
45	5042669	AUB 609	Washer ... ..	1	
46		AUA 1863	Spring washer } screw ... ..		Not supplied
47	5042668	AUB 707	END COVER ... ..	1	
48	5042670	AUB 702	Valve body—Ventilator ... ..	1	
49	5042671	AUB 703	Ventilator cap ... ..	1	
	5042672	AUB 704	Ball valve ... ..	1	

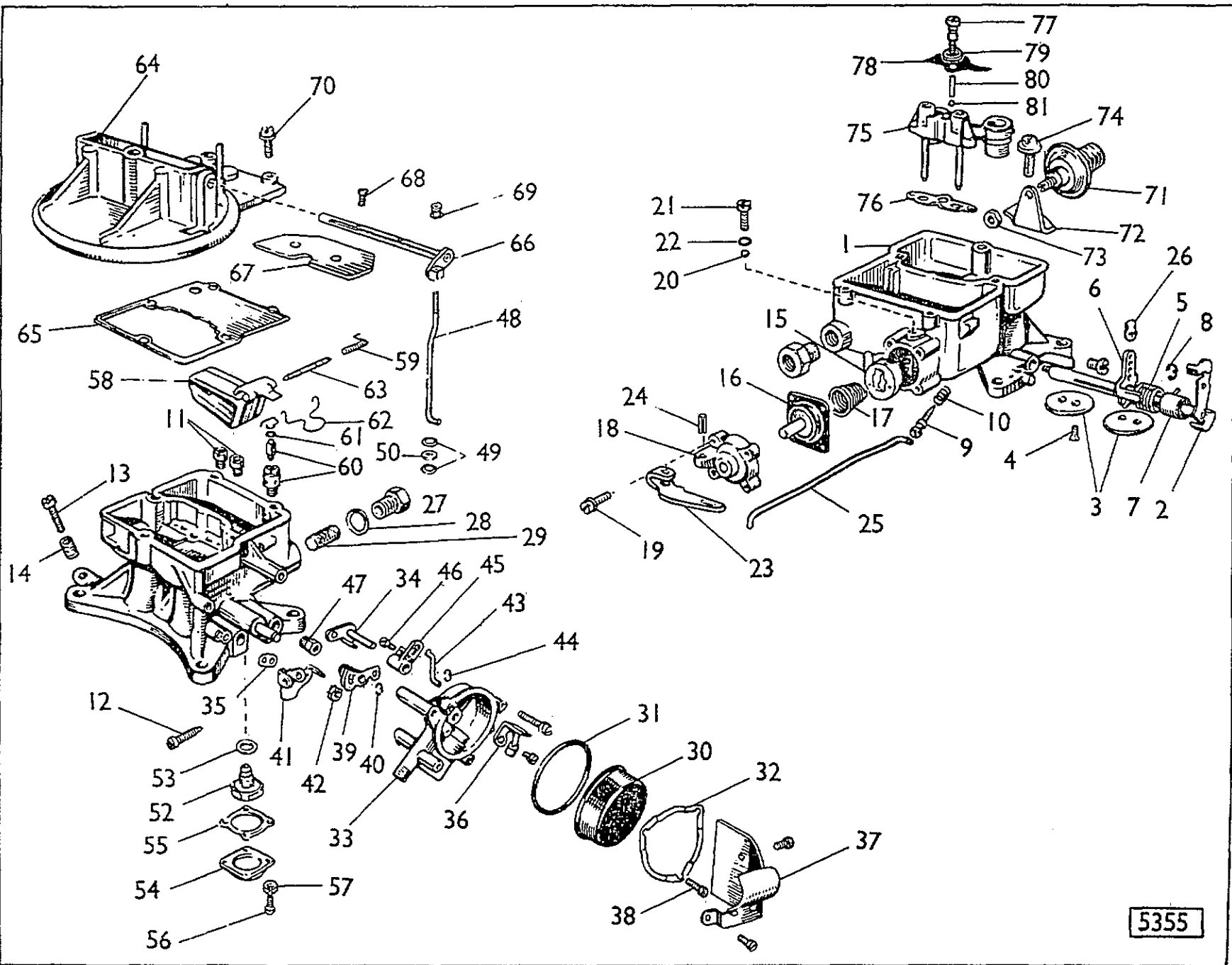
PETROL (Fuel) PUMP

Plate Ref.	Rootes Part Number	S.U. Part Number	DESCRIPTION	No. per Veh.	REMARKS
			<b>PETROL (Fuel Pump)—continued</b>		
50	9663123	AUA 4643	Shakeproof washer	1	
51	9227107	AUA 692	Lucar connector	1	
52	5042673	AUA 878	Terminal nut	1	
53	5042674	AUB 611	Insulating sleeve	1	
54	AUB 612		Sealing tape	Not supplied	
	AUB 716		Sealing band		
	1224807		Union—Fuel pump adaptor	2	
	9078035		Washer, fibre—Union	2	
			<b>PETROL (Fuel) PUMP MOUNTINGS</b>		
	1224769		Mounting clip	1	
	1224771		Insulator	1	
	1224756		Support Channel	1	
	19503052		Screw, No. 10 U.N.F. × ½"	3	
	9660122		Washer, ⅜" spring		
	5220700		Nut, No. 10 U.N.F.	3	
	5220701		Nut, ⅜" U.N.F. ...		
	9660201		Washer, ⅜" spring	1	
	5220695		Screw, ¼" U.N.F. × ¼" Hex. head		
	9571043		Nut, ¼" U.N.F. Nyloc	1	
			to channel		

# SECTION CF

# CARBURETTOR

CARBURETTOR



SECTION CF

5355

CARBURETTOR

Plate Ref.	Rootes Part Number	Ford Part Number	DESCRIPTION	No. per Veh.	REMARKS
	6100440 6100665	C4DZ-9510-A C4DZ-9510-C	CARBURETTOR (2 Barrel) ... .. CARBURETTOR (2 Barrel) ... ..	1 1	Up to B9470592 From B9470593
1			Main body assembly ... ..	1	Not supplied
2	6100340	B8AZ-9581-A	Shaft and lever ... ..	1	
3	6100341	B8A-9585-E	Plate ... ..	2	} Throttle
4	6100615	378361-S2	Screw—Plates to shaft ... ..	4	
5	6100450	B8AZ-9A538-A	Spring ... ..	1	
6	6100354	B8AZ-9919-A	Lever and bush ... ..	1	} Accelerator pump overtravel
7	6100455	C3AZ-9F569-A	Bush ... ..	1	
8	6100479	374035-S	Retainer—Pump overtravel lever to throttle shaft ...	1	
	6100355	377918-S8	Retaining ring, $\frac{1}{4}$ "—Lever to shaft ... ..	1	
		359409-S	Plug, $\frac{1}{8}$ "—Blanking main body ... ..	2	} Not supplied
		359353-S	Plug (to plug hole from bowl to accelerator pump) ...	1	
9	6100321	C1AE-9541-C	Needle—Idle adjusting ... ..	2	
10	6100337	B8A-9578-B	Spring—Fast idle adjusting lever ( $\cdot 20^{\circ}$ I/D $\times$ $\cdot 58^{\circ}$ long) ...	1	
11	6100313	C30Z-9533-G	Main metering jet—Tag code C4DF-E No. 44F—0 to 5000 ft. altitude ... ..	2	} See * below
	6100314	C30Z-9533-F	Main metering jet—Tag code C4DF-K/R No. 42F—0 to 5000 ft. altitude ... ..	2	
	6100314	C30Z-9533-F	Main metering jet—Tag code C4DF-T No. 42 F—0 to 5000 ft. altitude— ... ..	2	} See ** below From B9470593
	6100314	C30Z-9533-F	Main metering jet—No. 42F—5,000 to 10,000 ft. altitude ...	2	
	6100315	C30Z-9533-E	Main metering jet—No. 40F—5,000 to 10,000 ft. altitude ...	2	Up to B9470592
	6100315	C30Z-9533-E	Main metering jet—No. 40F—10,000 to 15,000 ft. altitude ...	2	From B9470593
	6100685	C30Z-9533-D	Main metering jet—No. 38F—10,000 to 15,000 ft. altitude ...	2	Up to B9470592
	6100316	C3AZ-9533-F	Main metering jet—Tag code C4DF-F No. 43F—0 to 5,000 ft. altitude ... ..	2	} See * below
	6100316	C3AZ-9533-F	Main metering jet—Tag code C4DF-JN No. 43F—0 to 5,000 ft. altitude ... ..	2	
	6100316	C3AZ-9533-F	Main metering jet—Tag code C4DF-S No. 43F—0 to 5,000 ft. altitude ... ..	2	} See ** below From B9470593
	6100317	C3AZ-9533-E	Main metering jet—No. 41F—5,000 to 10,000 ft. altitude ...	2	
	6100318	C3AZ-9533-H	Main metering jet—No. 39F—10,000 to 15,000 ft altitude ...	2	
12	6100451	C4AZ-9B538-A	Screw—Fast idle adjusting ... ..	1	
13	6100614	355107-S7	Screw—Normal idle adjusting—No. 10 $\times$ 1" special hex. hd. slotted ... ..	1	
14		40-9578	Spring—Idle adjusting needle ... ..	1	Not supplied
15	6100333	C30Z-9F565-A	Filler—Accelerator pump cavity ... ..	1	Up to B9470592
16	6100327	C2AZ-9B559-A	Diaphragm—Accelerator pump ... ..	1	Up to B9470592
	6100688	C4AZ-9B559-A	Diaphragm—Accelerator pump ... ..	1	From B9470593
17	6100345	B8A-9636-A	Spring—Pump lever return ... ..	1	See * below
	6100696	B8AZ-9636-A	Spring—Pump lever return ... ..	1	From ** below & B9470593
18	6100308	B8A-9528-A	Cover—Accelerator pump—less link ... ..	1	Up to B9470592
	6100681	C4AZ-9528-A	Cover—Accelerator pump—less link ... ..	1	From B9470593
19	6100608	43255-S8	Screw and washer—Cover to carb (No. 8 $\times$ $\frac{5}{8}$ ") ... ..	4	Up to B9470592
	6100682	379436-S8B	Screw and washer—Cover to carb (No. 8 $\times$ $\frac{1}{8}$ ") ... ..	4	From B9470593
20	9187004	371350-S	Ball, $\frac{3}{8}$ " steel ... ..	1	} Up to B9470592
21	6100485	B8A-9575-A	Screw ... ..	1	
22	6100612	374818-S	Washer, $\frac{1}{2}$ " plain ... ..	1	} Accelerator pump check
	6100695	C4AZ-9576-A	Valve, plaster ... ..	1	
23	6100309	C0AE-9529-A	Link ... ..	1	From B9470593
	6100683	C3AZ-9529-C	Link } Accelerator pump ... ..	1	See * below
	6100684	C4AZ-9529-A	Link } ... ..	1	From B9470593

\*For Carburetors with Stamping or Tag Identification C4DF-F.  
\*\*For Carburetors with Stamping or Tag Identification C4DF-N.

CARBURETTOR

Plate Ref.	Rootes Part Number	Ford Part Number	DESCRIPTION	No. per Veh.	REMARKS
			<b>CARBURETTOR—continued</b>		
24	6100310	353847-S8	Pin—Accelerator pump link to cover (.187" x .50") ...	1	Up to B9470592
25	6100322	C0AZ-9B542-A	Rod—Accelerator pump link to throttle lever (Includes 5—375894-S7 clips) ...	1	Up to B9470592
	6100686	C4AZ-9B542-A	Rod—Accelerator pump to overtravel lever ...	1	From B9470593
26	6100484	375894-S7-8	Clip—Accelerator pump link to throttle lever rod to overtravel pump lever ...	1	
	6100481	C1AZ-9599-A	Retainer—Pump link— 48" I/D (use with C2AZ-9564-B)	1	
27	6100305	C0AE-9A520-A	Adaptor ...	1	Up to B9470592
28	6100303	C2AZ-9229-A	Gasket } Fuel inlet ...	1	
29	6100357	B7A-9938-A	Filler }	1	
30	6100349	C4AZ-9848-A	Cover—Choke thermostat (identified by letters "TN")— Service package includes 1-C1AE-9871-A Gasket—Tag code C4DF-E ...	1	
	6100694	C4AZ-9848-A	Cover—Choke thermostat (identified by letters "TO")— Service package includes 1-C1AE-9871-A Gasket—Tag codes C4DF-K/R ...	1	See ** below
	6100349	C4AZ-9848-A	Cover—Choke thermostat (identified by letters "TN")— Service package includes 1-C1AE-9871-A Gasket—Tag codes C4DF-J/N ...	1	
	6100694	C4AZ-9848-B	Cover—Choke thermostat (identified by letters "TO")— Service package includes 1-C1AE-9871-A Gasket—Tag code C4DF-T ...	1	From B9470593
	6100349	C4AZ-9848-A	Cover—Choke thermostat (identified by letters "TN")— Service package includes 1-C1AE-9871-A Gasket—Tag code C4DF-S ...	1	
31	6100353	C1AE-9871-A	Gasket } Thermostat ...	1	
32	6100348	C4AZ-9842-A	Clamp ... } choke housing ...	1	
	6100336	C4AZ-9A575-A	Housing assembly } Choke ...	1	
33	6100350	C4AZ-9849-A	Housing and plugs }	1	
34	6100346	C1AZ-9A753-A	Shaft and lever—Choke housing ...	1	
35	6100351	B8A-9853-A	Gasket—Thermostatic choke housing ...	1	
36	6100347	C4AZ-9840-A	Piston assembly—Choke ...	1	
	6100692	C4AZ-9F577-A	Lever—Fast idle cam (Nylon) ...	1	
37	6100352	C4AZ-9861-A	Shield—Choke thermostat ...	1	
38	6100545	C3AZ-9B874-A	Screw—Thermostatic choke housing cover ...	3	
	6100691	378547-S7-8	Screw—Choke housing to main body (No. 8 1-76") ...	3	
39	6100343	C4AZ-9597-A	Cam } Fast ...	1	See * below
	6100693	C4GY-9597-A	Cam } idle ...	1	
40	6100312	351825-S	Retainer—Fast idle cam ("C" washer) ...	1	
41	6100320	C4AZ-9538-A	Lever—Fast idle adjusting ...	1	
42	6100609	34079-S7	Nut ... } Lever to ...	1	
	6100610	34903-S8	Lock washer, No. 10 } throttle shaft ...	1	
	6100329	B9A-9579-A	Pin—Fast idle adjusting lever ...	1	
43	6100311	C4AZ-9D530-A	Rod—Fast idle cam ...	1	
44	6100312	351825-S	Retainer—Fast idle cam rod ...	2	
45	6100320	C4AZ-9538-A	Overtravel lever ...	1	
46	6100673	372216-S	Adjusting screw—Overtravel lever ...	1	
47	6100486	358165-S	Connector Distributor vacuum tube to carb ...	1	See * below
48	6100344	C4AZ-9A599-A	Rod—Choke control ...	1	
49	6100480	C4AZ-9C771-A	Washer—Choke rod seal ...	2	
50		B7AZ-9B501-A	Seal—Choke rod ...	1	Not supplied

\*For Carburetors with Stamping or Tag Identification C4DF-F.

\*\*For Carburetors with Stamping or Tag Identification C4DF-N.



CARBURETTOR

Plate Ref.	Rootes Part Number	Ford Part Number	DESCRIPTION	No. per Veh.	REMARKS
			<b>CARBURETTOR—continued</b>		
52	6100332	C3AZ-9A565-B	Economizer (identified by black dye on body) ... ..	1	
53	6100342	C2AZ-9A588-B	Gasket—Economizer ... ..	1	
54	6100356	B7A-9930-A	Cover—Economizer valve ... ..	1	
55	6100329	B7A-9563-A	Gasket—Economizer cover ... ..	1	
56	6100616	31061-S8	Screw ... } Cover to ... ..	4	
57	6100617	34802-S7	Lock washer } main body ... ..	4	
	6100458	C20Z-9741-B	Bracket—Accelerator return spring ... ..	1	
58	6100324	C3AZ-9550-C	Float and lever assembly ... ..	1	
59	6100335	C3AZ-9F570-A	Spring—Float dampener ... ..	1	
60	6100331	C2AZ-9564-B	Valve and seat } Fuel ... ..	1	See * below
	6100690	C2AZ-9564-D	Valve and seat } inlet ... ..	1	See ** below
61	6100334	B7A-9569-A	Gasket—Float valve seat ... ..	1	
62	6100483	B7AZ-9599-A	Retainer—Float lever shaft ... ..	1	
63	6100326	B8A-9558-A	Pin—Float hinge ... ..	1	
64	6100307	C30Z-9524-B	Float chamber cover and air horn (less shaft) ... ..	1	See * below
	6100680	C30Z-9524-J	Float chamber cover and air horn (less shaft) ... ..	1	See ** below
65	6100328	C20Z-9561-A	Gasket } Float ... ..	1	See * below
	6100689	C20Z-9561-B	Gasket } bowl ... ..	1	See ** below
66	6100323	C4AZ-9546-A	Shaft and lever } ... ..	1	See * below
	6100687	C4MY-9546-A	Shaft and lever } Choke ... ..	1	See ** below
67	6100452	C2AZ-9545-A	Plate ... ..	1	
68	6100601	378360-S2	Screw—Choke plate (No. 6 × .31" pan hd.) ... ..	2	
69	6100544	C4AZ-9D564-A	Nut—Choke plate adjusting ... ..	1	
70		43256-S8	Screw and washer—Float chamber cover to main body (No. 10 × ½") ... ..	4	Not supplied
71	6100453	C1AZ-9B549-A	Dashpot ... ..	1	
72	6100454	B8AZ-9B550-A	Bracket—Dashpot mounting ... ..	1	
73	6100571	33923-S7	Nut, ⅜" ... } Dashpot to ... ..	1	
	6100562	34806-S7	Lock washer, ⅜" } bracket ... ..	1	
74	6100611	43252-S8	Screw and washer—Dashpot mounting bracket to carb (No. 10 × ¼") ... ..	1	
75	6100306	C3DZ-9A523-C	Support—Booster venturi (identified by letter "H") ... ..	1	See * below
	6100679	C3AZ-9A523-F	Support—Booster venturi (identified by letters "CA") ... ..	1	See ** below
76	6100319	B8AZ-9A536-A	Gasket—Booster venturi support ... ..	1	
77	6100456	C0AZ-9577-A	Screw—Pump discharge nozzle ... ..	1	
78	6100325	C3MY-9F553-A	Plate—Air distribution ... ..	1	
79	6100613	374370-S	Washer, ⅜" plain—Buna coated aluminium ... ..	1	
80	6100543	C20Z-9B511-A	Weight, ⅜" O/D--88" long—Pump discharge ball ... ..	1	
81	9187004	371350-S	Ball, ⅜" steel—Accelerator pump discharge valve ... ..	1	
	6100300	C20Z-9502-B	<b>GASKET SET</b> ... ..	1	See * below
	6100676	C20Z-9502-C	<b>GASKET SET</b> ... ..	1	See ** below
	6100301	C3AZ-9A586-B	<b>TUNE-UP KIT</b> ... ..	1	Up to B9470592
	6100677	C4DZ-9A586-A	<b>TUNE-UP KIT</b> ... ..	1	From B9470593
	6100302	C3AZ-9590-C	<b>REPAIR KIT</b> ... ..	1	See * below
	6100678	C4DZ-9590-A	<b>REPAIR KIT</b> ... ..	1	See ** below

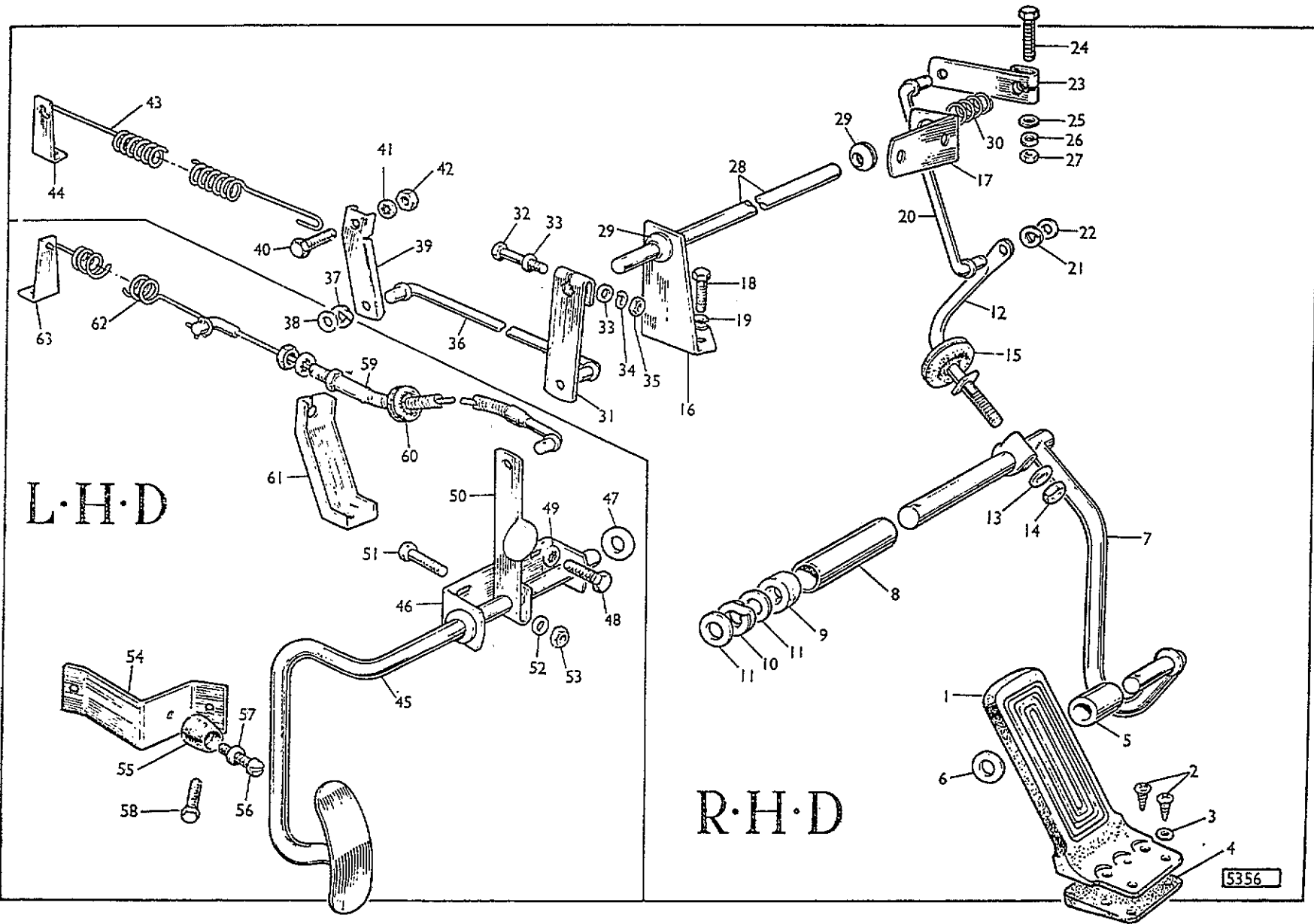
\*For Carburetors with Stamping or Tag Identification C4DF-F.

\*\*For Carburetors with Stamping or Tag Identification C4DF-N and from Chassis Number B9470593.

# SECTION DF

# CARBURETTOR CONTROLS

CARBURETTOR CONTROLS



L·H·D

R·H·D

5356

SECTION DF  
2nd Issue

CARBURETTOR CONTROLS

Plate Ref.	Rootes Part Number	Ford Part Number	DESCRIPTION	No. per Veh.	REMARKS
<b>ACCELERATOR (R.H.D.)</b>					
1	1206352		ACCELERATOR PEDAL	1	
2	9775089		Tapping screw, No. 12 × 1/4"	2	
3	9067017		Washer, No. 12 plain	2	
	9772086		Tapping screw, No. 6 × 1/2"	A/R	
4	1228282		Packing piece (rubber)	1	
5	1215191		Roller—Accelerator	1	
6	9067034		Washer, 3/8" plain—Roller	2	
7	1229828		ACCELERATOR CROSS SHAFT ASSEMBLY	1	
8	1200356		Distance piece—Cross shaft	1	
9	9120051		Washer, felt	1	
10	9086011		Washer, 1/2" spring	1	
11	9067056		Washer, 1/2" plain	2	
12	1200455		Operating lever	1	
13	9067023		Washer, 3/8" plain	1	
14	9552053		Nut, 3/8" U.N.F., Nyloc	1	
15	1045489		Grommet—Operating lever	1	
16	1229840		Mounting bracket—Cross shaft to engine (motor)	1	
17	1229841		Mounting bracket—Cross shaft to bulkhead	1	
18	19605041		Screw, 3/8" U.N.F. × 1/2"	2	
19	5200485		Washer, 3/8" spring	2	
20	1229838		Control rod—Operating lever	1	
21	9662122		Washer, 3/8" spring	2	
22	9067008		Washer, 3/8" plain	2	
23	1229830		Lever—Carb to cross shaft	1	
24	19503081		Screw, No. 10 U.N.F. × 1"	1	
25	9067009		Washer, 3/8" plain	1	
26	9660122		Washer, 3/8" spring	1	
27	5220700		Nut, No. 10 U.N.F.	1	
28	1229831		CROSS SHAFT	1	
29	1229832		Bearing—Cross shaft	2	
	9067034		Washer, 3/8" plain	2	
30	1229833		Compression spring	1	
31	1229834		Lever—Cross shaft to operating lever	1	
32	19503081		Screw, No. 10 U.N.F. × 1"	1	
33	9067009		Washer, 3/8" plain	2	
34	9660122		Washer, 3/8" spring	1	
35	5220700		Nut, No. 10 U.N.F.	1	
36	1229835		Rod—Cross shaft to carb	1	
37	9662122		Washer, 3/8" spring	2	
38	9067008		Washer, 3/8" plain	2	
39	1229837		Adaptor—Carb lever	1	
40	19503051		Screw, No. 10 U.N.F. × 3/8"	1	
41	9663122		Washer, 3/8" snakeproof	1	
42	5220700		Nut, No. 10 U.N.F.	1	
43	1224891		Spring—Accelerator return	1	
44	1224854		Bracket—Accelerator spring anchorage	1	

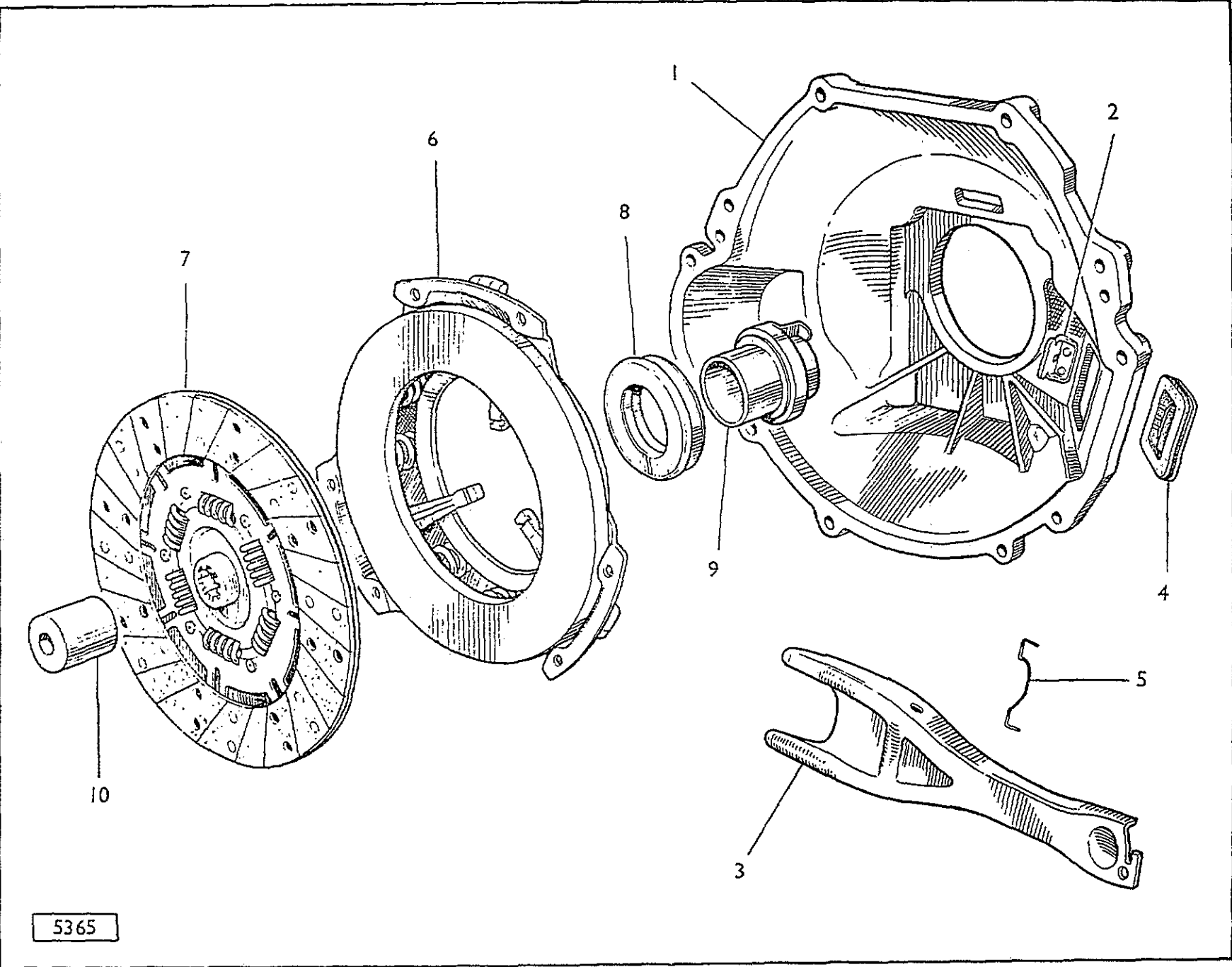
CARBURETTOR CONTROLS

Plate Ref.	Rootes Part Number	Ford Part Number	DESCRIPTION	No. per Veh.	REMARKS
ACCELERATOR (L.H.D.)					
45	1224845		ACCELERATOR PEDAL ... ..	1	
46	1224849		Bearing bracket—Accelerator shaft ... ..	1	
47	9067036		Washer, $\frac{3}{8}$ " plain ... ..	1	Accelerator pedal ... to bearing bracket
			Split pin—Not supplied ... ..		
48	39313101		Screw, No. 10 UNF. $\times \frac{1}{2}$ " pan hd. cross recess	3	Accel. bearing bracket to ...
			Washer, $\frac{3}{8}$ " shakeproof ... ..		
49	9663122		Lever—Accelerator pedal shaft ... ..	3	firewall
50	1224821		Screw, No. 10 UNF. $\times 1"$ ... ..	1	
51	19503081		Washer, $\frac{3}{8}$ " plain ... ..	2	Accelerator lever to pedal shaft
52	9067009		Washer, $\frac{3}{8}$ " spring ... ..		
	9660122		Nut, No. 10 UNF. ... ..	2	
53	5220700		Bracket—Accelerator stop ... ..	1	
54	1224708		Rubber buffer ... ..	1	
55	1224890		Screw, No. 10 UNF. $\times \frac{1}{4}$ " Pan hd. cross recess	1	Buffer to bracket
56	39313141		Washer, $\frac{3}{8}$ " plain ... ..		
57	9067009		Nut, No. 10 UNF. ... ..	1	
	5220700		Screw, No. 10 UNF. $\times \frac{1}{2}$ " ... ..	2	Accelerator stop bracket to firewall
	39313101		Washer, $\frac{3}{8}$ " shakeproof... ..		
	9663122		Screw, No. 10 UNF. $\times 1\frac{1}{4}"$ ... ..	2	
58	19503101		Nut, No. 10 UNF. ... ..	1	Accelerator pedal lever stop ...
	5220700		Washer, $\frac{3}{8}$ " plain ... ..	1	
59	1224853		ACCELERATOR CABLE ... ..	1	
	9067009		Washer, $\frac{3}{8}$ " plain ... ..	2	
60	9118500		Grommet—Accelerator cable ... ..	1	
61	1224797		Abutment—Accelerator cable ... ..	1	
62	1224891		Spring—Accelerator return ... ..	1	
63	1224854		Bracket—Accelerator spring anchorage ... ..	1	

## SECTION FF

# CLUTCH AND CONTROLS

CLUTCH AND CONTROLS



5365

SECTION FF

2nd Issue

CLUTCH AND CONTROLS

Plate Ref.	Rootes Part Number	Ford Part Number	DESCRIPTION	No. per Veh.	REMARKS
1	6100160	C30Z-6392-C	CLUTCH BELL HOUSING	1	} Not supplied
2		B9AA-7522-A	Bracket—Release lever	1	
		62329-F	Rivet, $\frac{1}{8}$ "—Bracket to Bell housing	2	
3	6100278	C3AZ-7515-A	Release lever	1	
4	6100276	C3AZ-7513-A	Dust shield	1	
5	6100487	AB-7562-A	Spring } lever	1	} Release
6	6100280	C20Z-7563-D	CLUTCH COVER AND PRESSURE PLATE ASSY.	1	
7	6100279	C30Z-7550-A	CLUTCH DISC (Driven Plate) ASSEMBLY	1	Up to B9470056 From B9470057
		8A-7580-A	Release bearing—Not supplied	1	
8	6100001	8A-7580-A1	Release bearing	1	
9	6100042	B7A-7561-B	Hub assembly—Clutch release bearing	1	
10	6100439	C20A-7600-A	Pilot bearing	1	
	6100275	C20Z-7007-A	Engine (Motor) rear cover plate	1	
	1224744		SLAVE CYLINDER	1	
	5042680		Piston	1	
	5042679		Dust cover	1	
	5037676		Seal	1	
	5220157		Spring	1	
	K.21836		Dust cap	1	
	9187004		Ball, $\frac{3}{8}$ " dia.	1	
	K.26371		Bleeder screw	1	
	5042677		SLAVE CYLINDER REPAIR KIT	1	
	1224655		Bracket—Slave cylinder mounting	1	
	19406221		Bolt, $\frac{3}{8}$ " UNC. $\times$ 2 $\frac{1}{2}$ " Hex. } Bracket to	1	
	19406261		Bolt, $\frac{1}{2}$ " UNC. $\times$ 3 $\frac{1}{2}$ " Hex. } clutch housing	1	
	1224702		Push rod—Slave cylinder	1	
	1224743		Nut—Ball end—Push rod	1	
	1224745		Clip—Push rod to release lever spring	1	
	1229807		CLUTCH PEDAL, R.H.D.	1	
	1224677		CLUTCH PEDAL, L.H.D.	1	
	1224747		MASTER CYLINDER	1	
	5039060		Filler cap	1	
	9122249		Gasket—Filler cap	1	
	5030670		Valve seal	1	
	5030672		Spring washer—Valve seal	1	
	5030671		Valve spacer	1	
	5030669		Valve stem	1	
	5030668		Spring	1	
	5038424		Spring retainer	1	
	5042682		Plunger	1	
	5042681		Plunger seal	1	
	5042683		Push rod	1	
	9207208		Circlip—Push rod retaining	1	
	5030675		Dust cover	1	
	5042678		MASTER CYLINDER REPAIR KIT	1	
	1229822		PIPE—Clutch master cylinder to slave cylinder, R.H.D.	1	
	1224737		PIPE—Clutch master cylinder to slave cylinder, L.H.D.	1	

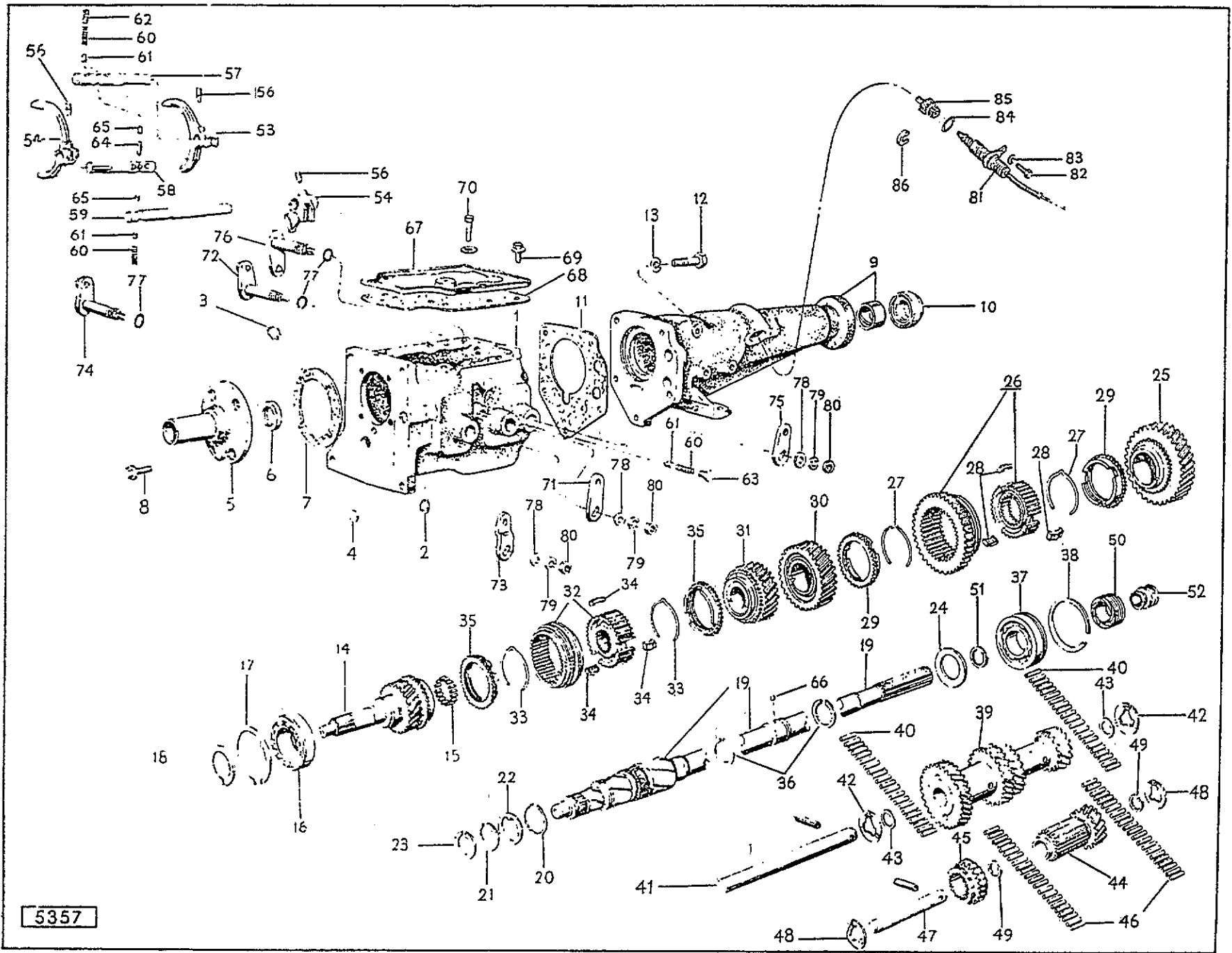


## SECTION GF

# GEARBOX (Transmission) UNIT

NOTE.—This Gearbox (Transmission) Unit is fitted from  
Chassis No. B9470057.

GEARBOX (Transmission) UNIT

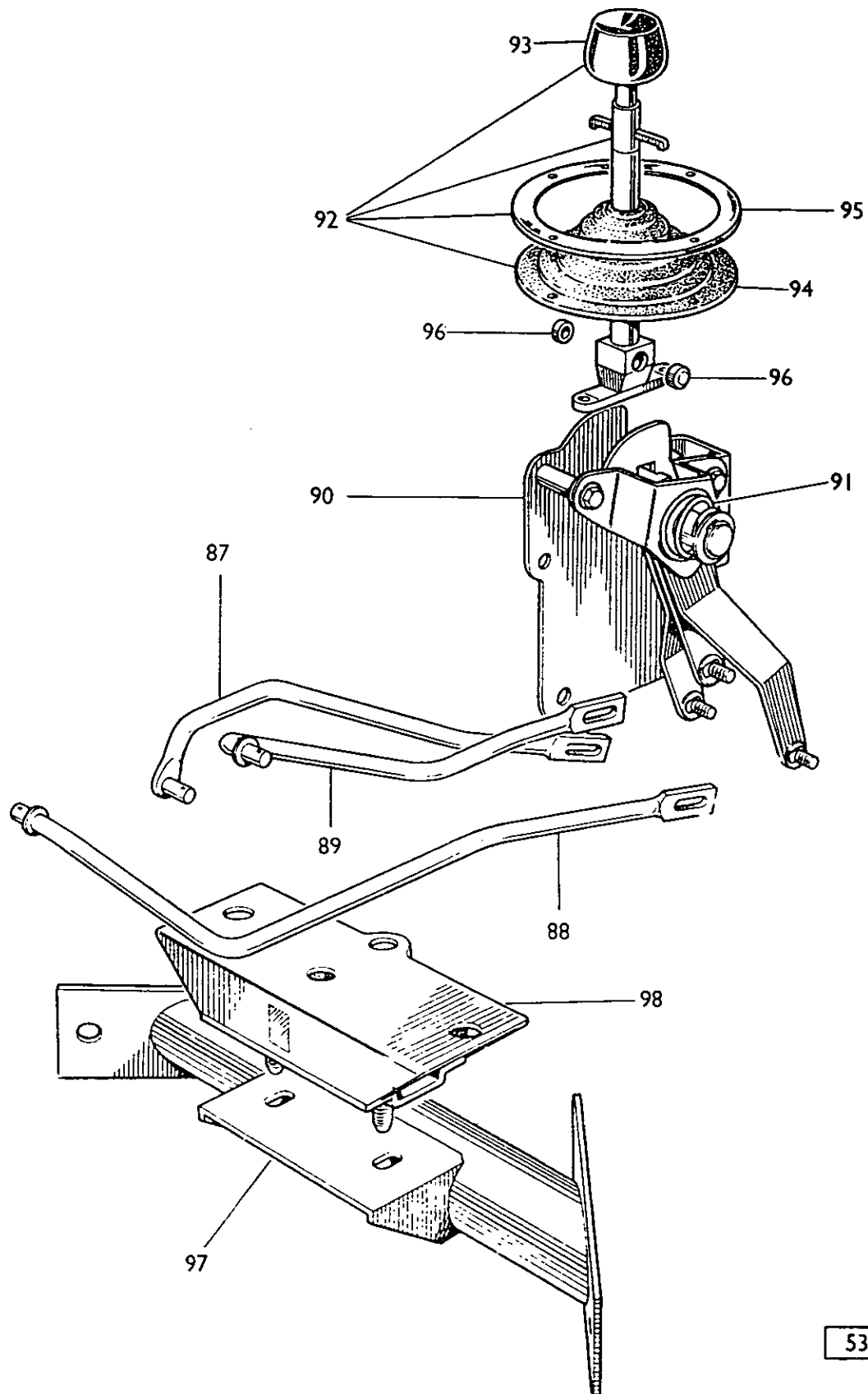


5357

PLATE A - SECTION GF

2nd Issue

# GEARBOX (Transmission) UNIT



5366

PLATE B - SECTION GF

GEARBOX (Transmission) UNIT

Plate Ref.	Rootes Part Number	Ford Part Number	DESCRIPTION	No. per Veh.	REMARKS
	6100004	C40R-7003-B	GEARBOX (Transmission) UNIT ... ..	1	
A1	6100218	C4AZ-7005-B	Casing ... ..	1	
A2	6100586	373719-S	Drain plug, 1/4" ... ..	1	
A3	6100585	358035-S	Filler plug, 1/4" ... ..	1	
A4	6100579	74112-S	Welsh plug, 1/8" ... ..	1	
A5	6100438	C4AZ-7050-A	RETAINER—Input shaft—Gear bearing ... ..	1	
A6	6100267	B7AZ-7A283-A	Oil seal—Input shaft ... ..	1	
A7	6100268	C4AZ-7051-A	Gasket—Retainer ... ..	1	
A8	6100582	350673-S	Bolt, 1/8" x 1/2" Hex.—Retainer to casing ... ..	4	
A9	6100263	C40Z-7A039-A	Extension assembly ... ..	1	
A10	6100264	21C-7052-A	Oil seal—Extension ... ..	1	
A11	6100265	C4AZ-7086-B	Gasket ... ..	1	
A12	6100572	20430-S	Bolt, 1/8" x 1 1/4" hex. } Extension to casing ... ..	5	
A13	6100581	34808-S	Washer, 1/8" lock } ... ..	5	
A14	6100256	C40Z-7017-A	INPUT (Primary) SHAFT ... ..	1	
A15	6100257	C3AZ-7118-A	Rollers } Input (Primary) ... ..	15	
A16	6100490	8D-7025	Bearing } shaft ... ..	1	
A17	6100258	C4AZ-7026-A	Snap ring } Bearing ... ..	1	
A18	6100259	C4AZ-7064-A	Snap ring } ... ..	1	
A19	6100235	C40Z-7061-A	MAINSHAFT ... ..	1	
A20	6100241	C4AZ-7064-R	Snap ring—Synchro hub ... ..	1	
A21	6100488	379233-S	Retaining ring ... ..	1	
A22	6100243	C3AZ-7071-A	Thrust washer } ... ..	1	
A23	6100259	C4AZ-7064-A	Snap ring } Mainshaft ... ..	1	
A24	6100449	C4AZ-7A385-A	Thrust washer } ... ..	1	
A25	6100236	C4AZ-7A029-D	1st SPEED WHEEL (Gear) ... ..	1	
A26	6100237	C4AZ-7124-F	Synchronizer assembly—1st and 2nd speed ... ..	1	
A27	6100239	C3AZ-7109-D	Spring—Retainer ... ..	2	
A28	6100238	C4AZ-7A044-A	Insert—Synchro hub ... ..	3	
A29	6100240	C4AZ-7107-D	Baulking ring ... ..	2	
A30	6100242	C4AZ-7102-D	2nd SPEED WHEEL (Gear) ... ..	1	
A31	6100244	C4AZ-7B340-B	3rd SPEED WHEEL (Gear) ... ..	1	
A32	6100245	C4AZ-7124-G	Synchronizer assembly—3rd and 4th speed ... ..	1	
A33	6100239	C3AZ-7109-D	Spring—Retainer ... ..	2	
A34	6100246	C3AZ-7A044-A	Insert—Intermediate and high synchronizer ... ..	3	
A35	6100240	C4AZ-7107-D	Baulking ring ... ..	2	
A36	6100489	8A-7064	Snap ring—Mainshaft ... ..	3	
A37	6100491	8D-7065	Bearing—Rear ... ..	1	
A38	6100492	51A-7026	Retaining snap ring ... ..	1	
A39	6100230	C4AZ-7113-A	LAYSHAFT CLUSTER (Countershaft gears) ... ..	1	
A40	6100231	C4AZ-7121-A	Rollers—Layshaft ... ..	42	
A41	6100233	C4AZ-7111-A	Layshaft spindle ... ..	1	
A42	6100232	C4AZ-7119-A	Thrust washer ... } Layshaft ... ..	2	
A43	6100575	378559-S	Washer, 3/4" plain } (Countershaft) ... ..	2	
A44	6100225	C4AZ-7141-A	REVERSE IDLER GEAR ... ..	1	
A45	6100226	C4AZ-7D223-B	Reverse idler sliding gear ... ..	1	
A46	6100227	C4AZ-7D271-A	Rollers—Idler shaft ... ..	44	
A47	6100229	C4AZ-7140-A	Shaft—Reverse idler ... ..	1	
A48	6100228	C4AZ-7149-A	Thrust washer } Reverse ... ..	2	
A49	6100574	351529-S	Washer, 3/4" plain } idler gear ... ..	2	
A50	6100261	B7C-17285-A	SPEEDOMETER DRIVING WHEEL (Gear) ... ..	1	
A51	6100493	372401-S	Snap ring, 1 1/4" ... ..	1	
A52	6100262	B9AP-7A011-A	Oil seal ... ..	1	

GEARBOX (Transmission) UNIT

Plate Ref.	Rootes Part Number	Ford Part Number	DESCRIPTION	No. per Veh.	REMARKS
<b>GEARBOX (Transmission) UNIT—continued</b>					
A53	6100248	C4AZ-7230-B	1st and 2nd selector fork ... ..	1	
A54	6100249	C4AZ-7230-A	3rd and 4th selector fork ... ..	1	
A55	6100250	C4AZ-7231-A	Reverse selector fork ... ..	1	
A56	6100578	377886-S	Setscrew—Locking, $\frac{1}{8}$ " $\times$ .92"—Selector forks ... ..	2	
A57	6100251	C4AZ-7240-E	1st and 2nd SELECTOR SHAFT ... ..	1	
A58	6100252	C4AZ-7241-B	3rd and 4th SELECTOR SHAFT ... ..	1	
A59	6100253	C4AZ-7240-F	REVERSE SELECTOR SHAFT ... ..	1	
A60	6100254	C3AZ-7234-A	Shifter interlock spring ... ..	3	
A61	6100255	C3AZ-7C316-B	Shifter interlock pin ... ..	3	
A62	6100576	377885-S	Interlock screw, $\frac{1}{8}$ " $\times$ .88" ... ..	1	
A63	6100577	378206-S	Bolt, $\frac{1}{4}$ " $\times$ .38" Hex.—Gear shift interlock ... ..	1	
A64	6100260	C4AZ-7235-A	Interlock pin—Selector ... ..	1	
A65	6100273	C4AZ-7C316-A	Pin—Gear shift interlock rod ... ..	2	
A66	9187006	353351-S	Ball, $\frac{1}{4}$ " dia. ... ..	1	
A67	6100270	C4AZ-7222-A	TOP COVER ... ..	1	
A68	6100269	C4AZ-7223-A	Gasket ... ..	1	
A69	6100583	372110-S	Screw, $\frac{1}{8}$ " $\times$ $\frac{1}{4}$ " Hex. } Cover to casing ... ..	8	
A70	6100584	359441-S100	Screw, $\frac{1}{8}$ " $\times$ 1" Hex. } ... ..	2	
A71	6100271	C4AZ-7290-B	1st and 2nd Gear Shift lever ... ..	1	
A72	6100222	C3AZ-7C124-A	Finger assembly—Shift control (1st and 2nd) ... ..	1	
A73	6100272	C4AZ-7285-A	3rd and 4th Gear Shift lever ... ..	1	
A74	6100222	C3AZ-7C124-A	Finger assembly—Shift control (3rd and 4th) ... ..	1	
A75	6100274	C4AZ-7290-A	Reverse Gear Shift lever ... ..	1	
A76	6100223	C4AZ-7C124-A	Finger assembly—Reverse shift control ... ..	1	
A77	6100224	1A-7288-A	Oil seal—Selector shaft ... ..	3	
A78	6100588	44727-S	Washer, $\frac{1}{8}$ " plain ... ..	3	
A79	6100566	34807-S	Lock washer, $\frac{1}{8}$ " } Gear shift levers ... ..	3	
A80	6100589	33800-S	Nut, $\frac{1}{8}$ " Hex. ... ..	3	
	6100572	20430-S8	Bolt, $\frac{1}{4}$ " $\times$ $1\frac{1}{4}$ " Hex. ... ..	4	
	6100581	34808-S7	Lockwasher $\frac{1}{8}$ " ... ..	4	
	1229844		SPEEDOMETER DRIVE CABLE ... ..	1	} R.H.D.
	5043561		Inner cable—Speedo drive ... ..	1	
A81	6100013	C4JZ-17260-A	SPEEDOMETER DRIVE CABLE ... ..	1	} L.H.D.
A82	6100563	20324-S8	Bolt, $\frac{1}{8}$ " $\times$ .80" Hex. } Cable to ... ..	1	
A83	9660161	34805-S8	Lockwasher, $\frac{1}{8}$ " ... } gearbox ... ..	1	
	1229845		Adaptor } ... ..	1	} R.H.D.
	9107040		"O" ring } Speedometer cable ... ..	1	
	9122252		Sleeve ... ..	1	
A84	6100014	87036-S94	Seal—Speedometer cable ... ..	1	} L.H.D.
A85	6100504	C30A-17271-A	SPEEDOMETER DRIVING PINION (15 Teeth) ... ..	1	
A86	6100015	C1DD-17292-A	Retainer—Pinion to cable ... ..	1	

GEARBOX (Transmission) UNIT

Plate Ref.	Rootes Part Number	Ford Part Number	DESCRIPTION	No. per Veh.	REMARKS	
<b>GEAR SHIFT MECHANISM</b>						
B87	6100010	C2AA-7328-C	Rod—1st and 2nd gear shift	1	Up to Chassis No. B9470056	
B88	6100011	C2AA-7326-C	Rod—3rd and 4th gear shift	1		
B89	6100009	C2AA-7B112-A	Rod—Reverse gear shift	1		
B90	6100052	C3AA-7400-E	Control assembly—Gear shift	1		
	6100592	C4AZ-7328-C	Rod—1st and 2nd gear shift	1		
		C4AZ-7326-E	Rod—3rd and 4th gear shift	1		
		C4AZ-7B112-A	Rod—Reverse gear shift	1		
		C4AZ-7400-D	Control assembly—Gear shift	1		
		355385-S8	Bolt and lockwasher assembly, $\frac{1}{8}$ " x $\frac{3}{4}$ "—Control to gearbox (Transmission) unit	3		
B91	6100018	C2AZ-7208-A	Spring—Trunnion gear shift	2		From Chassis No. B9470057
	6100663	C4JZ-7202-C	Lever c/w grommet—Gearshift, R.H.D.	1		
B92	6100016	C4JZ-7202-A	Lever c/w grommet—Gearshift, L.H.D.	1		
B93	6100699	C2AZ-7213-E	Knob—Gearshift lever	1		
	6100700	C2AZ-7C404-B	Locknut—Knob	1		
B94	6100701	C2AZ-7277-G	Grommet—Gearshift lever	1		
B95	6100019	C2AZ-7262-A	Chrome ring—Finisher	1		
	6100590	42760-S8	Bolt and lock washer assembly, $\frac{1}{8}$ " x $\frac{7}{8}$ "—Lever to control assembly	2		
B96	6100017	C2AZ-7B125-A	Trunnion—Gear shift	2		
	6100591	52369-S13	Tapping screw—Oval head	4		
<b>REAR MOUNTINGS</b>						
B97	1224687		CROSS TUBE ASSEMBLY	1	Up to B9470056	
	1224885		CROSS TUBE ASSEMBLY	1		From B9470057
	19106051		Screw, $\frac{3}{8}$ " UNF. x $\frac{5}{8}$ "	4		
	2057108		Washer, $\frac{3}{8}$ " plain	4		
	9660242		Washer $\frac{3}{8}$ " spring...	4		
B98	6100048	C1AA-6068-A	Insulator	4	Up to Chassis No. B9470056	
	6100363	C0AA-6070-A	Plate—Rear support	4		
	6100558	C0AA-6054-A	Retainer—Engine support	4		
	6100559	C4ZA-6068-A	Insulator—Rear mounting	1		
	6100560	372821-S8	Bolt, $\frac{1}{2}$ " x 1-12" Hex.	2		
	9067048	34784-S7	Lockwasher, $\frac{1}{2}$ "	2		
		44732-S8	Lockwasher, $\frac{3}{8}$ "	2		
		55826-S8	Nut, $\frac{3}{8}$ " lock	2		
			Washer, $\frac{3}{8}$ " plain	2		
			Insulator to gearbox	2		

# SECTION MF

## FRONT SUSPENSION

FRONT SUSPENSION

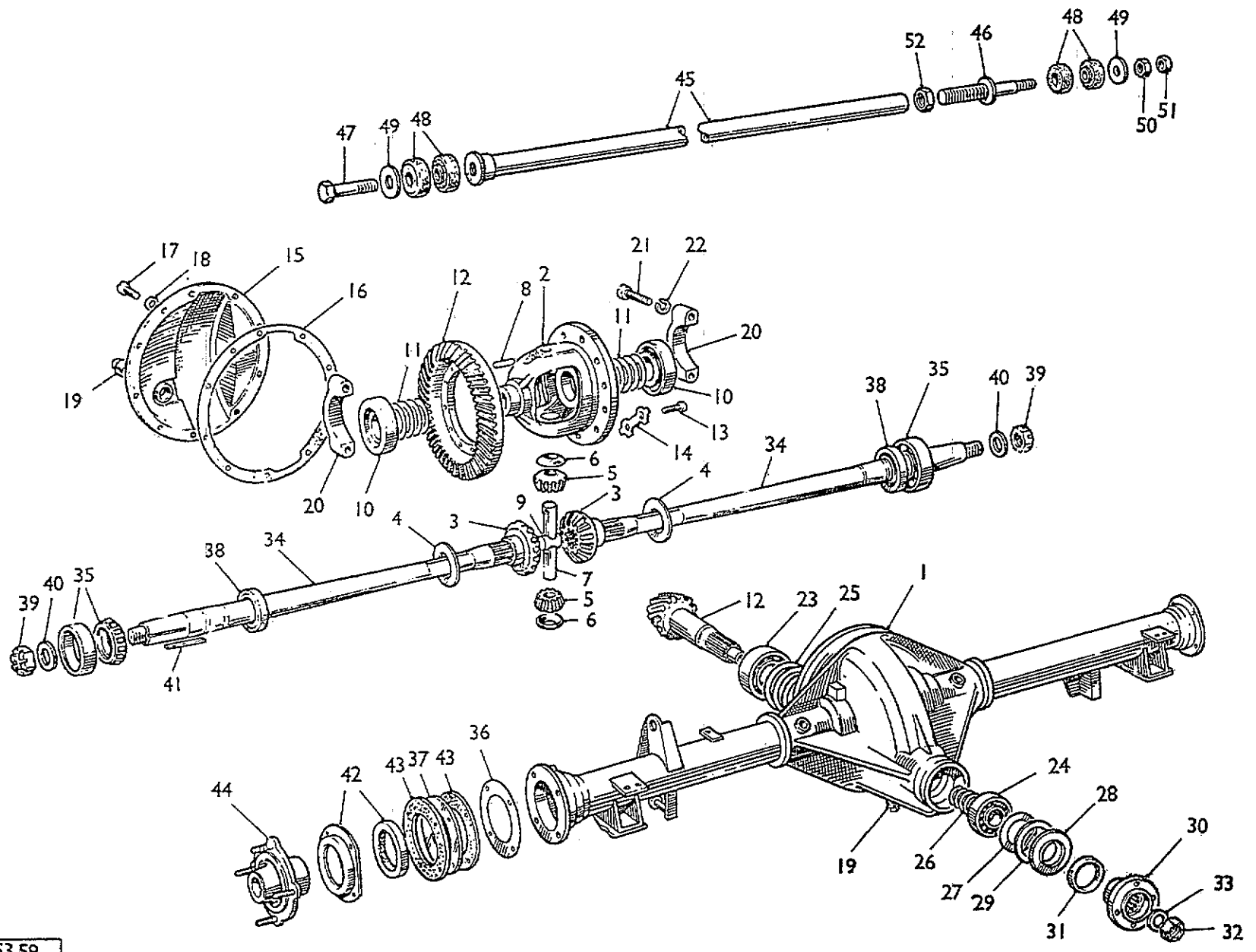
Plate Ref.	Rootes Part Number	Ford Part Number	DESCRIPTION	No. per Veh.	REMARKS
	1224619		FRONT SUSPENSION CROSSMEMBER ... ..	1	
	1223650		COIL SPRING ... ..	2	
	1224836		LOWER LINK, O/S (R.H.) } c/w fulcrum pin	1	
	1224837		LOWER LINK, N/S (L.H.) } and bushes ... ..	1	
			Fulcrum pin, bush, etc.— As Alpine IV.		
	1224640		STEERING ARM, O/S (R.H.) ... ..	1	
	1224641		STEERING ARM, N/S (L.H.) ... ..	1	



# SECTION NF

## REAR AXLE and ROAD WHEELS

REAR AXLE AND ROAD WHEELS



SECTION NF

2nd Issue

REAR AXLE AND ROAD WHEELS

Plate Ref.	Rootes Part Number	Dana Part Number	DESCRIPTION	No. per Veh.	REMARKS
			REAR AXLE UNIT ... ..		Not supplied
1	5042516		Casing—Rear axle ... ..	1	
2	5042697		Differential case ... ..	1	
3	5042521	17832	Differential side gears ... ..	2	
4	5042522	13331-3	Thrust washer—Differential side gears ... ..	2	
5	5042523	17717	Differential pinion mate ... ..	2	
6	5042524	13338-3	Thrust washer—Differential pinion mate ... ..	2	
7	5042526	11449	Shaft—Differential pinion mate ... ..	1	
8	K.28139	13449	Lockpin—Shaft ... ..	1	
9	5042527	18078	Spacer—Axle shaft ... ..	1	
10	P.43906	550180/550225	Bearing—Differential ... ..	2	
11	5042528	S.58	Shim, -003" } Differential	2	
	5042529	S.59	Shim, -005" } bearing	2	
	5042530	S.74	Shim, -010" } bearing	2	
	5042531	S.75	Shim, -030" } bearing	2	
12	5042517		CROWN WHEEL AND BEVEL PINION ... ..	1	
13	5042693		Screw—Crown wheel ... ..	10	
14	5042518		Lockstrap—Screw ... ..	5	
15	5042694		Gear carrier cover ... ..	1	
16	5042519	18434	Gasket ... ..	1	
17	19605051	} 30230	Screw ... } Cover	10	
18	9661201		Lockwasher } Cover	10	
19	K.28087	500091	Filler and drain plugs ... ..	2	
20	5042520	15365	Cap—Differential bearing ... ..	2	
21	5042696	500400-20	Screw ... } Differential	4	
22	9660321		Lockwasher } bearing cap	4	
	1224359		Steady bracket bearing ... ..	1	
23	5042698	550246/550233	Pinion bearing—Inner ... ..	1	
24	5042699	550163/550213	Pinion bearing—Outer ... ..	1	
25	K.28148	S.112	Adjusting shim inner, -003" } Pinion bearing	2	
	K.28149	S.113	Adjusting shim inner, -005" } Pinion bearing	2	
	K.28058	S.114	Adjusting shim inner, -010" } Pinion bearing	2	
26	K.28059	S.638	Adjusting shim outer, -003" } Pinion bearing	2	
	K.28060	S.638-1	Adjusting shim outer, -005" } Pinion bearing	2	
	K.28061	S.638-2	Adjusting shim outer, -010" } Pinion bearing	2	
	K.28062	S.638-3	Adjusting shim outer, -030" } Pinion bearing	2	
	5042700		Pinion bearing washer ... ..	A/R	
27	5042539	30180	Pinion oil slinger ... ..	1	
28	K.28065	14223	Pinion oil seal ... ..	1	
29	K.28066	30188	Gasket—Pinion oil seal ... ..	1	
30	5042541		Driver coupling (Companion flange) ... ..	1	
31	K.28067		Dust shield—Driver coupling ... ..	1	
32	5042702	30185	Nut } Pinion	1	
33	9067078	30186	Washer } Pinion	1	
34	5042703		Axle shaft ... ..	2	
35	5042684		Bearing <del>...</del> <b>26577</b> ... ..	2	
36	K.28079		Shim, -003" } Axle shaft	2	
	K.28080		Shim, -005" } Axle shaft	2	
	K.28081		Shim, -010" } Axle shaft	2	
	K.28082		Shim, -030" } Axle shaft	2	
37	5043255		Bearing retainer—Axle shaft ... ..	2	

REAR AXLE AND ROAD WHEELS

Plate Ref.	Rootes Part Number	Dana Part Number	DESCRIPTION	No. per Veh.	REMARKS
			<b>REAR AXLE UNIT—continued</b>		
38	5042685		Oil seal	2	
39	5042686		Nut } Axle	2	
40	5042687		Washer } shaft	2	
41	K.28076		Key	2	
42	5042689		Hub oil seal	2	
43	5042690		Gasket—Oil seal	4	
	5042691		Bolt } Brake	8	
	5042692		Nut } backplate	8	
44	1224649		HUB c/w Bolts	2	
	1214407		Bolt—Road wheel	8	
			<b>PANHARD ROD</b>		
			<b>PANHARD ROD COMPLETE—Not supplied</b>		
45	1224786		Panhard rod tube c/w plug	1	
46	1224784		Spigot end—Panhard rod	1	
47	1224789		Bolt—Panhard rod plug end	1	
48	K.23618		Rubber bush—Panhard rod	4	
49	9067054		Washer, 3/8" plain	2	
50	5220703		Nut, 3/8" UNF.	1	
51	9520060		Nut, 3/8" UNF. lock	1	
52	9520100		Nut, 3/8" UNF. lock } Spigot end	1	
			<b>ROAD WHEELS</b>		
	1214930		ROAD WHEEL (Disc Type)	5	Not supplied
			Tyre, 5-90 x 13		
	1207244		Nave plate	4	
	1224813		Wheel trim	4	
	9228002		Balance weight—1/2 oz.	A/R	
	9228003		Balance weight—1 oz.	A/R	
	9228004		Balance weight—1 1/2 oz.	A/R	
	9228005		Balance weight—2 oz.	A/R	

# SECTION PF

# PROPELLOR SHAFT

PROPELLOR SHAFT

Plate Ref.	Rootes Part Number		DESCRIPTION	No. per Veh.	REMARKS
	1224748		PROPELLOR SHAFT ... ..	1	Not supplied
	5042793		TUBULAR SHAFT ASSEMBLY ... .. Flange yoke ... ..	1	
	5042794	Ford Part No. C-3A2-4841-G	Sleeve yoke assembly ... ..	1	
	5042795	Dana Part No. 5.153X	Journal and bearing pack ... ..	2	
	5042796		Gasket—Journal ... ..	8	
	K.10502		Circlip ... ..	8	
	19106103		Bolt, 1/2" UNF. x 1 1/4" } Propellor shaft ... ..	4	
	9664243		Washer, 1/2" shakeproof } to ... ..	4	
	9510063		Nut, 1/2" UNF. ... } coupling driver ... ..	4	

# SECTION QF

## BRAKES and CONTROLS

BRAKES AND CONTROLS

Plate Ref.	Rootes Part Number	DESCRIPTION	No. per Veh.	REMARKS
		<b>BRAKE UNIT—FRONT</b>		
	1224628	Splash guard, O/S (R.H.) ... ..	1	
	1224629	Splash guard, N/S (L.H.) ... ..	1	
		<b>BRAKE UNIT—REAR</b>		
	1224626	Backplate, O/S (R.H.) ... ..	1	
	1224627	Backplate, N/S (L.H.) ... ..	1	
	1224732	<b>BRAKE PIPE—5-way to O/S (R.H.) front hose</b> ... ..	1	
	1229819	<b>BRAKE PIPE—5-way to N/S (L.H.) front hose</b> ... ..	1	R.H.D.
	1224733	<b>BRAKE PIPE—5-way to N/S (L.H.) front hose</b> ... ..	1	L.H.D.
	1224734	<b>BRAKE PIPE—5-way to 2-way connector</b> ... ..	1	
	1224736	<b>BRAKE PIPE—Flex. hose to O/S (R.H.) rear brake</b> ... ..	1	
	1229820	<b>BRAKE PIPE—Servo to 5-way</b> ... ..	1	R.H.D.
	1224738	<b>BRAKE PIPE—Servo to 5-way</b> ... ..	1	L.H.D.
	1224739	<b>BRAKE PIPE—O/S (R.H.) to N/S (L.H.) rear brake</b> ... ..	1	
	1224741	<b>BRAKE PIPE—2-way connector to flex. hose</b> ... ..	1	
	1229821	<b>BRAKE PIPE—Master cylinder to servo inlet</b> ... ..	1	R.H.D.
	1224740	<b>BRAKE PIPE—Master cylinder to servo inlet</b> ... ..	1	L.H.D.
	9179227	Clip—Brake pipe to bulkhead ... ..	1	
	9179381	Clip—Brake pipe to wheelarch ... ..	1	
	9179049	Clip—Vacuum pipe to bulkhead strut ... ..	1	
	9118514	Grommet—Brake pipes ... ..	2	
	9152302	Connector—Two-way ... ..	1	
	P.49043	HOSE—Rear ... ..	1	
	9520060	Locknut } Hose to ... ..	1	
	9664242	Washer } brake pipe ... ..	1	
	1229806	<b>BRAKE PEDAL (R.H.D.)</b> ... ..	1	
	1224674	<b>BRAKE PEDAL (L.H.D.)</b> ... ..	1	
	5220923	<b>BRAKE FLUID—High boiling point (8 fl. oz. can)</b> ... ..	A/R	For all territories except North America
		<b>BRAKE SERVO</b>		
	1229804	Steady bracket } ... ..	1	R.H.D.
	1229802	Support bracket } ... ..	1	
	1206508	Clip } Servo unit ... ..	1	L.H.D.
	1224755	Support bracket } ... ..	1	
	1224886	Steady bracket } ... ..	1	L.H.D.
	5220685	Bolt, 3/8" U.N.F. x 1/2" } Support bracket ... ..	2	
	9664242	Washer, 3/8" shakeproof } to servo ... ..	2	
	19504051	Bolt, 1/2" U.N.F. x 3/4" } ... ..	1	
	9664162	Washer, 1/2" shakeproof } Support bracket to frame ... ..	1	
	9020030	Nut, 1/2" UNF. } ... ..	1	
	5220690	Bolt, 1/2" UNF. x 3/4" Hex. } ... ..	1	
	9067015	Washer, 1/2" plain } Servo clip to ... ..	1	L.H.D.
	9664162	Washer, 1/2" shakeproof } steady bracket ... ..	1	
	9510040	Nut, 1/2" UNF. } ... ..	1	
	19105161	Bolt, 3/8" UNF. x 2" } ... ..	1	
	5200482	Washer, 3/8" plain } Steady bracket ... ..	1	
	9664203	Washer, 3/8" shakeproof } to bulkhead ... ..	1	
	5220701	Nut, 3/8" UNF. } ... ..	1	



# SECTION RF

## STEERING and CONTROLS



STEERING AND CONTROLS

Plate Ref.	Rootes Part Number	DESCRIPTION	No. per Veh.	REMARKS
1	1224637	UPPER COLUMN	1	
2	5042935	Outer tube c/w key	1	
3	5042936	Inner column	1	
4	5043284	Ball race	2	
5	5043288	Bush—Ball race	2	
6	5043289	Spring	2	
7	K.27978	Adjusting washer—048°	A/R	Inner column
	5043285	Adjusting washer—064°	A/R	
	5043286	Adjusting washer—080°	A/R	
	5043287	Adjusting washer—104°	A/R	
8	5043290	Circlip	2	
9	5041078	Plug	1	
10	1206274	Stop button	1	
11	5041071	Inner column extension	1	
12	1206273	Bolt } Inner column	1	
13	1206462	Circlip } extension	1	
14	1224688	UNIVERSAL STEERING JOINT—UPPER	1	
15	5042938	Journal pack—Upper steering joint	1	
16	1229850	STEERING SHAFT—LOWER (R.H.D.)	1	
17	1224663	STEERING SHAFT—LOWER (L.H.D.)	1	
18	5042938	Journal pack—Lower steering shaft	1	
19	1224871	Strip rubber—Steering column	1	
20		Steady bracket—Steering column	1	See Body fittings— Supplied with Body Shell
	19105143	Screw, 5/8" UNF. x 1 1/4" Hex. } Universal joints to lower steer-	3	
	9569053	Nut, 5/8" UNF. Acrotight } ing shaft and rack and pinion	3	
21	5042786	RACK AND PINION (R.H.D.)	1	
22	5042785	RACK AND PINION (L.H.D.)	1	
23	5042787	Dust excluder (Bellows)	2	
24	5042788	Steel banding—Dust excluder	4	
25	5042792	Clip—Steel banding	4	
	9003269	Bolt, 3/4" UNF. x 2" Wedglok—Rack to crossmember	4	
26	5042789	TUBE END SOCKET ASSEMBLY	2	
27	5042790	Dust cover	1	
28	5042791	Retaining ring	1	
29	9540070	Nut, 7/8" UNF.—Slotted	2	
30	9520101	Nut, 1/2" UNF. lock—Tube end socket	2	
31	1206521	HANDWHEEL (Wooden)	1	G.T. and all U.S.A. and Canada Standard models except U.S.A. and Canada
	1206429	HANDWHEEL	1	
32	9029179	Nut—Handwheel to column	1	
33	1228688	Motif	1	
34	1206388	Clip	3	
35	1205510	Adjuster nut	1	
36	1206509	Nut—Column extension	1	
37	19505032	Screw, 5/8" UNF. x 1/2" } Adjuster nut to	1	column extension nut
38	9067089	Washer, 5/8" plain	1	
39	9118508	Grommet—Steering column	1	
40	1223832	Clip—Support bracket	1	
	9067017	Washer, 1/2" plain	2	
	9510040	Nut, 1/2" UNF.	2	

STEERING AND CONTROLS

Plate Ref.	Rootes Part Number	DESCRIPTION	No. per Veh.	REMARKS	
41	19504051	Bolt, 1/4" UNF. x 3/8" } Clip—Column to	2		
	9664162	Washer, 1/4" shakeproof } support bracket	2		
	5220695	Screw, 1/4" UNF. x 1/2" } ... ..	2		
	9067017	Washer, 1/4" plain ... } Clip to lower	2		
	9664162	Washer, 1/4" shakeproof } support rail	2		
	9067018	Packing washer ... } ... ..	A/R		
	1206560	Support bracket (R.H.D.)—Column to facia	1		
	1206621	Support bracket (L.H.D.)—Column to facia	1		
	19504051	Bolt, 1/4" UNF. x 3/8" } Support bracket	2		
	9664162	Washer, 1/4" shakeproof } to facia	2		
	42	1206294	COWL—Upper ... ..	1	
	43	1206295	COWL—Lower ... ..	1	
	44	1224207	Clip—Cowl to column ... ..	1	
	45	1206410	Grommet—Cowl ... ..	1	
	9773126	Screw, No. 8 x 3/8" } Clip to cowl	1		
	9020042	Spire nut, No. 8J } (Lower)	1		
	39313081	Screw, No. 10 UNF. x 1/2"—Cowl (Upper) to column	4		
	39711122	Screw, No. 10 UNC. x 3/4"—Cowl lower to cowl upper	2		

# SECTION SF

## REAR SUSPENSION

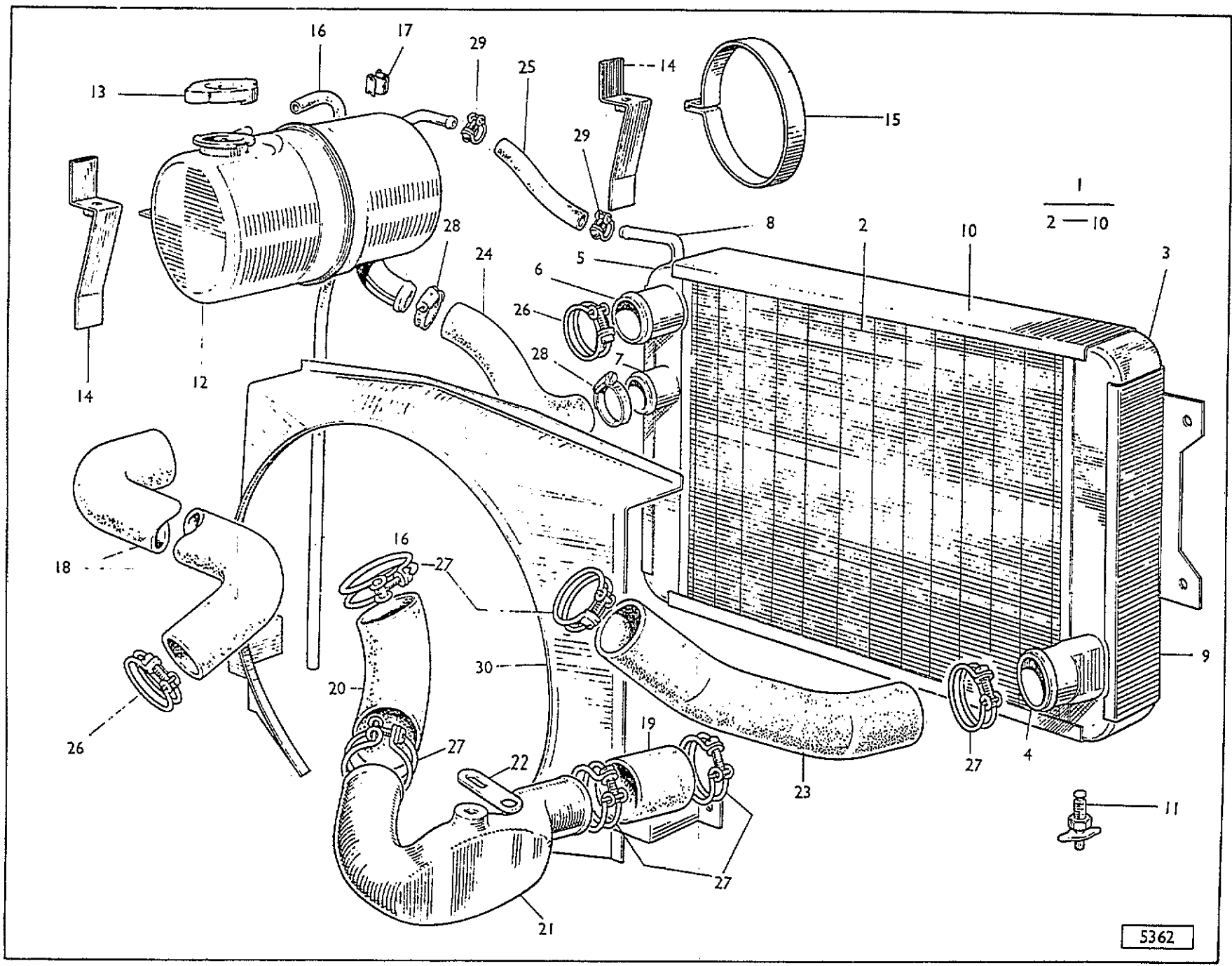
REAR SUSPENSION

Plate Ref.	Rootes Part Number		DESCRIPTION	No. per Veh.	REMARKS
	1206585		REAR SPRING (As Alpine Series III) ... ..	2	
	5220903		SHOCK ABSORBER ... ..	2	
			Mounting washers, etc.—As Alpine Series III and IV.		
	1224662		Rubber buffer—Rear axle ... ..	2	
	5200485		Washer, $\frac{1}{8}$ " spring } Buffer to ... ..	2	
	5220701		Nut, $\frac{1}{8}$ " U.N.F. ... } bracket ... ..	2	

# SECTION TF

# RADIATOR

RADIATOR



5362

SECTION TF

2nd Issue



RADIATOR

Plate Ref.	Rootes Part Number	DESCRIPTION	No. per Veh.	REMARKS
1	1217359	RADIATOR BLOCK ... ..	1	
2	1217361	Block c/w tube plates ... ..	1	
3	1217366	Tank, O/S (R.H.) ... ..	1	
4	1217368	Water pipe, O/S (R.H.) ... ..	1	
5	1217367	Tank, N/S (L.H.) ... ..	1	
6	1217369	Water pipe, N/S (L.H.) upper ... ..	1	
7	1217370	Water pipe, N/S (L.H.) lower ... ..	1	
	1216238	Drain tap adaptor ... ..	1	
8	1217371	Breather pipe ... ..	1	
9	1217363	Lower strap and mounting brackets ... ..	1	
10	1217373	Upper strap ... ..	1	
11	9214001	Drain tap—Radiator ... ..	1	
12	1224725	HEADER TANK ... ..	1	
13	5220487	Filler cap (9 lb. pressure) ... ..	1	Late cars
	1224818	Filler cap (13 lb. pressure) ... ..	1	Early cars
14	1224795	Bracket—Header tank mounting ... ..	2	Supplied with Body Shell
15	1224796	Clip—Header tank ... ..	2	
	5220682	Screw, 1/4" UNF. x 1/2" Hex. ... ..	2	
	9664162	Washer, 1/4" shakeproof ... ..	2	
	9510040	Nut, 1/4" UNF. ... ..	2	
16	9233561	Overflow pipe ... ..	1	
17	9178502	Clip—Overflow pipe to header tank ... ..	1	
	P.49294	Clip—Overflow pipe ... ..	1	
18	1224840	Radiator hose—upper ... ..	1	
19	1229856	Hose—Radiator to connecting pipe ... ..	1	
20	1229857	Hose—Water pump to connecting pipe ... ..	1	
21	1229854	Connecting pipe—Radiator ... ..	1	
22	1229855	Strap—Connecting pipe ... ..	1	
	5220690	Screw, 1/4" U.N.F. x 1/2" } Strap to ... ..	1	} R.H.D.
	9660321	Washer, 1/4" spring } side plate ... ..	1	
	19604051	Screw, 1/4" U.N.C. x 1/2" } Strap to ... ..	1	
	9660161	Washer, 1/4" spring } connecting pipe ... ..	1	
23	1224841	Radiator hose—Lower ... ..	1	L.H.D.
24	1224842	Radiator hose—Radiator to header tank ... ..	1	
25	1224843	Radiator hose—Steam pipe to header tank ... ..	1	
26	9782301	Clip—Upper hose ... ..	2	
27	9782341	Clip—Lower hose ... ..	2	4 off R.H.D. models
28	9782201	Clip—Header tank to radiator hose ... ..	2	
29	9782091	Clip—Radiator steam pipe to header tank hose ... ..	2	
30	1224878	Radiator cowl ... ..	1	
	9130023	Clip ... ..	2	
	19503061	Screw, No. 10 UNF. x 1/2" } Cowl to body ... ..	2	
	9034062	Rivnut ... ..	2	
	19505061	Bolt, 3/8" UNF. x 1/2" } ... ..	4	
	9067027	Washer, 3/8" plain } Radiator to support panel ... ..	4	
	9664203	Washer, 3/8" shakeproof } ... ..	4	

# SECTION UF

## PETROL (Fuel) SYSTEM

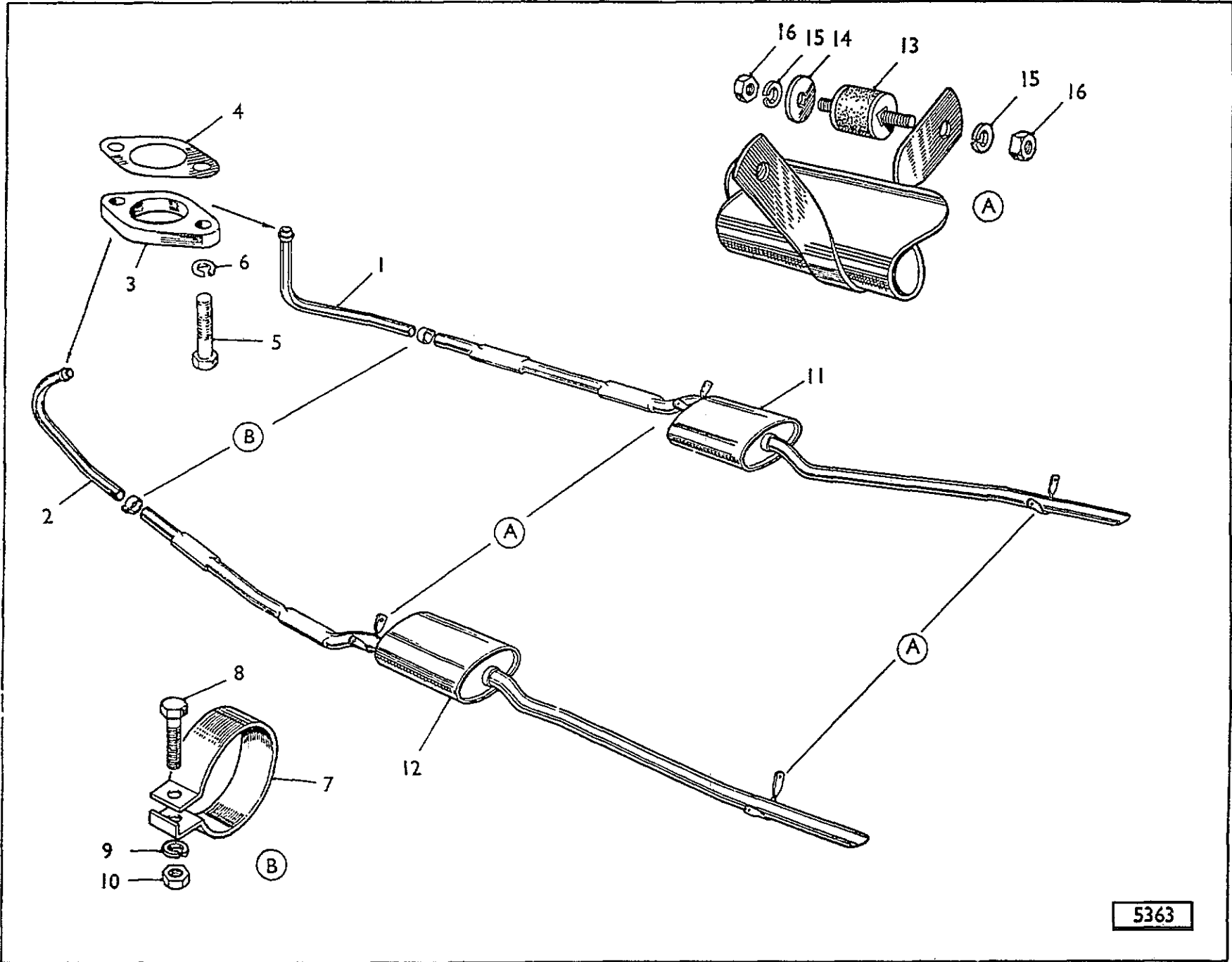
PETROL (Fuel) SYSTEM

Plate Ref.	Rootes Part Number	Ford Part Number	DESCRIPTION	No. per Veh.	REMARKS
	1224803		PETROL (Fuel) PIPE—Balance pipe to petrol (fuel) pump ...	1	
	1224804		PETROL (Fuel) PIPE— Petrol (fuel) pump to flex. junction pipe ...	1	
	1224894		Hose—Fuel pipe flexible junction ...	1	
	9785081		Clip—Hose ...	2	
	P.43555		Hose (38" long)—Petrol (fuel) pump to breather ...	A/R	
	9118500		Grommet—Petrol pump breather tube ...	1	
	1229859		PETROL (Fuel) PIPE—Flexible junction hose to filter ...	1	R.H.D.
	1224713		PETROL (Fuel) PIPE—Flexible junction hose to filter ...	1	L.H.D.
	6100034	C2RZ-9155-A	Filter (Fuel-in-line disposable type) ...	1	
	1224712		PETROL (Fuel) PIPE—Filter to carburettor ...	1	
	6100292	C30Z-9180-A	Bracket—Petrol (fuel) pipe ...	1	
	6100293	JB-9417-B	Gasket ...	1	
	6100561	20346-S8	Bolt ...	2	} Petrol (Fuel) pump opening cover
	6100646	34806-S7	Washer, $\frac{1}{8}$ " lock ...	2	
	1224816		Rubber sleeve—Pipe to frame clip ...	8	
	1224792		Plate } Pipe ...	1	
	9116027		Grommet } carrier ...	1	
	9176015		Clip—Pipe ...	1	
	1229865		Angle } Pipe clip ...	1	R.H.D.
	1224791		Angle } support ...	1	L.H.D.
	19607061		Screw, $\frac{1}{16}$ " U.N.C. x $1\frac{1}{2}$ " } Support angle ...	1	
	9664282		Washer, $\frac{1}{16}$ " shakeproof } to engine (motor) ...	1	
	19503041		Screw, No. 10 U.N.F. x $\frac{1}{2}$ " } ...	1	
	9067009		Washer, $\frac{3}{16}$ " plain ...	1	} Clip to support angle
	5220700		Nut, No. 10 U.N.F. ...	1	

# SECTION VF

# EXHAUST SYSTEM

EXHAUST SYSTEM

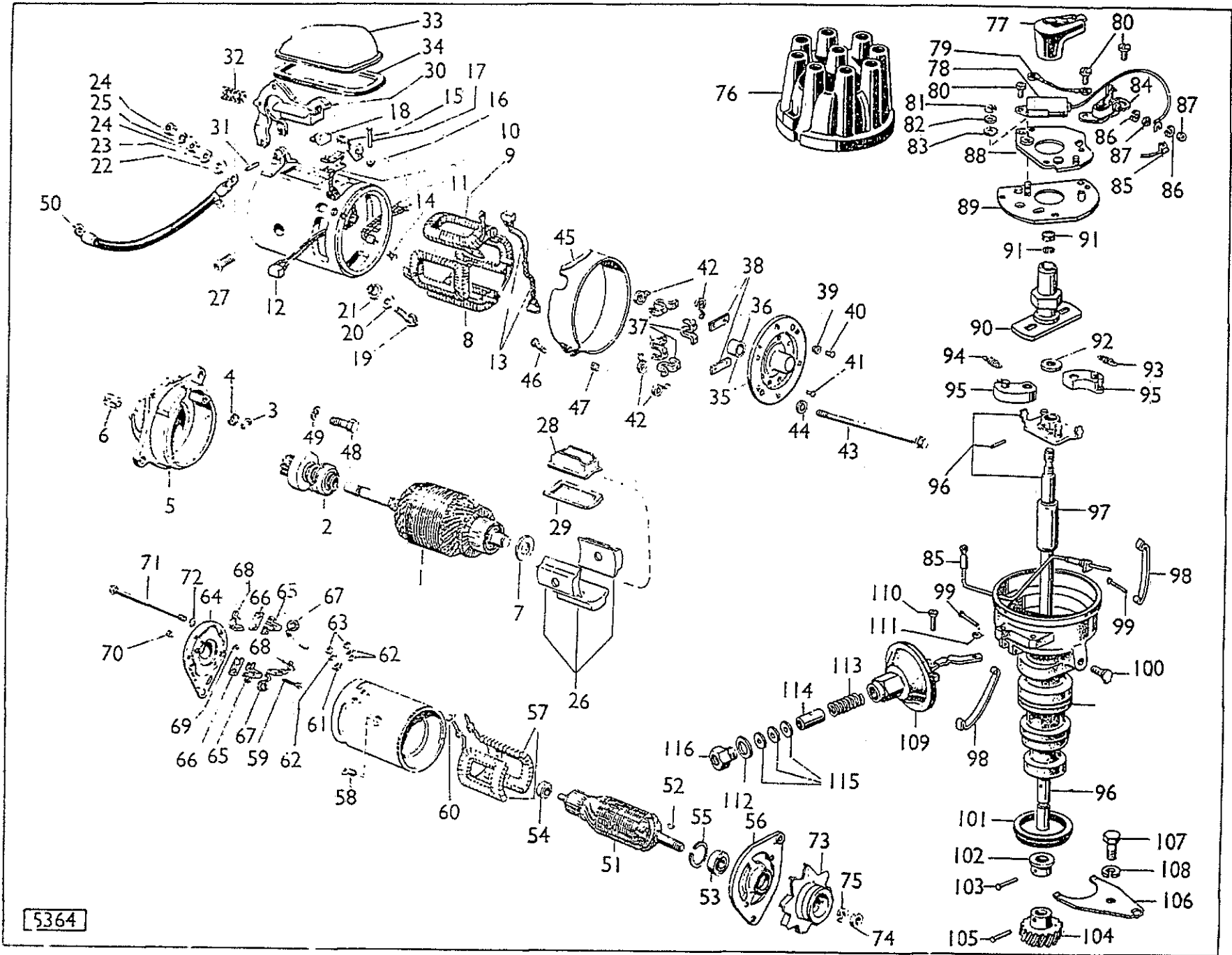


EXHAUST SYSTEM

Plate Ref.	Rootes Part Number	Ford Part Number	DESCRIPTION	No. per Veh.	REMARKS
1	1224630		PRIMARY PIPE, O/S (R.H.) ... ..	1	
2	1224631		PRIMARY PIPE, N/S (L.H.) ... ..	1	
3	6100045	C3AZ-5269-A	Flange—Primary pipes ... ..	2	
4	6100046	C3AZ-9450-A	Gasket—Exhaust manifold to primary pipe (Asbestos) ...	2	
5	19407111		Screw, $\frac{7}{8}$ " UNC. $\times$ $1\frac{1}{2}$ " } Primary pipes ... ..	4	
6	9660282		Washer, $\frac{7}{8}$ " spring } to manifolds ... ..	4	
7	9182041		Clip ... ..	2	
8	19505081		Screw, $\frac{5}{8}$ " UNF. $\times$ 1" } Primary pipes to ... ..	2	
9	9660201		Washer, $\frac{5}{8}$ " spring } exhaust pipes ... ..	2	
10	5220701		Nut, $\frac{5}{8}$ " Hex. ... ..	2	
11	1224774		EXHAUST PIPE AND SILENCER, O/S (R.H.) ... ..	1	} R.H.D. also L.H.D. U.S.A. and Canada L.H.D. except U.S.A. and Canada
12	1224775		EXHAUST PIPE AND SILENCER, N/S (L.H.) ... ..	1	
	1229862		EXHAUST PIPE AND SILENCER, O/S (R.H.) ... ..	1	
	1229863		EXHAUST PIPE AND SILENCER, N/S (L.H.) ... ..	1	
13	P.113421		Support rubber ... ..	8	
14	9067043		Washer, $\frac{1}{2}$ " plain } Exhaust pipe and ... ..	8	
15	9661241		Washer, $\frac{1}{2}$ " spring } silencer mounting ... ..	16	
16	5220703		Nut, $\frac{1}{2}$ " UNF. ... ..	16	

# SECTION WF

# ELECTRICAL EQUIPMENT



5364



ELECTRICAL EQUIPMENT

Plate Ref.	Rootes Part Number	Ford Part Number	DESCRIPTION	No. per Veh.	REMARKS
<b>INSTRUMENTS</b>					
	1224697		SPEEDOMETER (M.P.H.) ... .. SN5321/08	1	
	1224698		SPEEDOMETER (K.P.H.) ... .. SN5321/09	1	
	5042331		Trip return flex ... .. 41-118-101-08	1	
	1224679		REVOLUTION COUNTER (Impulse) RV1/2012/00A Speedometer cable—see Gearbox (Transmission) Section.	1	
<b>VOLTAGE REGULATOR</b>					
	6100047	C2AF-10505-A	VOLTAGE REGULATOR—15v. 30 amp. ... ..	1	
	1224873		Mounting plate—Voltage regulator ... ..	1	
	39213081		Screw, No. 10 × ½" csk. cross recess ... ..	} Voltage regulator	6
	9663121		Washer, ⅜" shakeproof ... ..		6
	9067009		Washer, ⅜" plain ... ..		6
<b>SWITCHES</b>					
	6100035	C4AF-11450-A-B	Starter relay ... ..	1	
	19504051		Bolt, ¼" UNF. × ⅜" hex. ... ..	} Starter solenoid	2
	5220722		Washer, ¼" spring ... ..		2
	9510040		Nut, ¼" UNF. ... ..		2
<b>PETROL (Fuel) PUMP</b>					
Petrol (Fuel) Pump (Electric)—See Section BF.					

ELECTRICAL EQUIPMENT

Plate Ref.	Rootes Part Number	Ford Part Number	DESCRIPTION	No. per Veh.	REMARKS
<b>STARTER MOTOR</b>					
	6100364	C20Z-11002-A	STARTER MOTOR ... ..	1	
1	6100365	C20Z-11005-A	Armature ... ..	1	
2	6100366	C20Z-11350-A	Drive assembly ... ..	1	
3	6100369	C2DZ-11222-A	Retainer—Drive stop ... ..	1	
4	6100375	C2DZ-11223-A	Retainer—Drive ring ... ..	1	
5	6100373	C20Z-11130-A	Housing—Rear (Driving end bracket) ... ..	1	
6	6100374	CODZ-11135-A	Bearing (Bush)—Housing ... ..	1	
7	6100385	CODZ-11036-A	Thrust washer—Armature shaft ... ..	1	
8	6100389	C20Z-11082-B	Coil assembly—Complete ... ..	1	
9		C20Z-11083-D	Coil assembly—Actuating ... ..	1	Not supplied
10	6100396	C20Z-11134-A	Spring assembly—Contact ... ..	1	
11		18-11056	Brush assembly—Ground (Earth) ... ..	1	} Not supplied
12		CODF-11056-B	Brush assembly—Service ... ..	1	
13		CODF-11055-A	Brush assembly—Insulator ... ..	1	
14		25231-S	Screw, No. 10—Brush—Ground (Earth) ... ..	2	
15	6100393	C20Z-11176-A	Post assembly—Contact ... ..	1	
16	6100379	CODF-11068-A	Insulator—Switch ... ..	A/R	
17		358755-S	Rivet—Insulator to contact post ... ..	1	Not supplied
18	6100392	C20Z-11181-A	Insulator—Switch spring ... ..	1	
19	6100397	CODF-11102-B	Terminal (Post)—Field ... ..	1	
20		B5A-11093-A	Washer ... ..	1	} Not supplied
21		11107A	Insulator (Bush) ... ..	1	
22	6100399	18-11094-B	Washer ... ..	1	
23		B5A-11095-A	Washer ... ..	1	} Not supplied
24	6100571	33923-S	Nut, 1/8" ... ..	2	
25	6100646	34806-S	Washer, 1/8" lock ... ..	1	
26			Pole shoes ... ..		} Not supplied
27		68-10044	Screw—Pole shoes ... ..	3	
28	6100395	CODF-11105-A	Sleeve } Coil ... ..	1	
29		CODF-11106-A	Flange } retainer ... ..	1	} Not supplied
30		CODF-11067-B	Plunger (actuating lever) ... ..	1	
31		73266-S	Pin, 1/4" x 3/8"—Plunger to yoke ... ..	1	
32	6100383	CIVF-11103-A	Spring } Plunger ... ..	1	
33	6100370	CODF-11060-C	Cover } ... ..	1	
34	6100372	CODF-11065-A	Gasket—Plunger cover ... ..	1	
35	6100377	C30Z-11049-A	Plate assembly—Brush end (C.E. bracket) ... ..	1	
36	6100472	18-11052	Bearing (Bush)—Front plate (C.E. bracket) ... ..	1	
37			Brush holder ... ..		} Not supplied
38		B11062	Insulator—Brush holder ... ..	2	
39			Insulator—Rivet ... ..	4	
40			Rivet—Insulator ... ..	4	
41			Rivet—Ground (Earth) ... ..	4	
42		B11059	Spring—Brush holder ... ..	4	
43	6100382	C3AZ-10120-A	Through bolt ... ..	2	
44	6100647	34801-S7	Washer, 1/4" lock—Through bolt ... ..	2	
45		CODF-11126-A	Band—Cover ... ..	1	Not supplied
46	6100644	27177-S	Screw, No. 10 } Band ... ..	1	
47	6100637	34141-S	Nut, No. 10 } ... ..	1	
48			Bolt ... } Starter } See Engine (Motor) ... ..		
49			Lockwasher } fixings } Section ... ..		
50			Cable—Starter Solenoid to Starter Motor—See Cables and Grommets.		

ELECTRICAL EQUIPMENT

Plate Ref.	Rootes Part Number	Ford Part Number	DESCRIPTION	No. per Veh.	REMARKS
<b>DYNAMO (Generator)</b>					
	6100459	CITZ-10002-A	DYNAMO (Generator)—Less Pulley	1	
51	6100461	CITZ-10005-A	Armature	1	
52	6100632	74175-S	Key—Armature	1	
53	6100473	A8AZ-10094-A	Bearing—Front (D.E. bracket)	1	
54	6100474	B6A-10095-B	Bearing—Rear (C.E. bracket)	1	
55	6100475	O1A-10163	Ring—Bearings	2	
56	6100463	B6A-10139-B	Plate—Drive end (D.E. bracket)	1	
57	6100464	B9A-10175-A	Field coil	1	
			Pole shoes		} Not supplied
58			Screw—Pole shoes		
59	6100478	O1A-10211	Terminal—Plate—Brush end (C.E. bracket)	1	
60	6100477	81A-10208	Insulator—Field coil	1	
61	6100476	81A-10206	Bushing	1	
62		34079-S	Washer	3	} Not supplied
63		44716-S	Nuts } Terminals	2	
64	6100462	C3AZ-10050-A	Plate—Brush end	1	
65			Brush holder		} Not supplied
66			Insulator plate		
67	6100466	CIVF-10057-A	Spring—Brushes	2	
68	6100465	C1AF-10069-A	Brush	2	
69	6100633	18-10088	Rivet	1	
70	6100468	C2SZ-10202-A	Insulator—Brush end plate	1	
71	6100382	C3AZ-10120-A	Through bolt	2	
72		34805-S	Washer—Through bolt	2	} Not supplied
	6100467	CIDZ-10040-A	Brush arm	2	
73	6100460	C20F-10130-A	Pulley (Single sheave)	1	
74	6100630	351124-S	Locknut, $\frac{1}{8}$ " } Pulley	1	
75	6100631	351496-S	Lockwasher } to shaft	1	
<b>IGNITION</b>					
	6100406	C40Z-12127-A	DISTRIBUTOR—Centrifugal and Vacuum	1	
76	6100407	B7A-12106-A	Top cover	1	
77	6100408	B7A-12200-A	Rotor	1	
78	6100431	B7A-12300-C	Condenser	1	
79	6100430	B9AF-12264-A	Cable—Distributor breaker	1	
80	6100429	B7A-12230-A	Screw—Breaker	3	
81	6100312	351825-S	"C" washer	1	
82	6100651	372396-S	Washer, $\frac{3}{8}$ " plain	1	
83	6100650	372395-S	Washer, spring	1	
84	6100416	B8Q-12171-A	Arm and bracket—Point set	1	
85	6100428	C20Z-12216-A	Primary assembly—Distributor terminal	1	
86	6100647	34801-S7	Lockwasher } Primary assembly	2	
87	6100649	34051-S8	Nut, No. 6 } to condenser	2	
88	6100415	B9AF-12151-B	Plate—Breaker—Upper	1	
89	6100414	B9AF-12151-A	Plate—Breaker—Lower	1	
90	6100427	COTF-12210-B	Cam	1	
91	6100418	B7A-12177-A	Retainer—Cam	1	
92	6100419	B7A-12179-A	Thrust washer—Distributor shaft upper	1	

ELECTRICAL EQUIPMENT

Plate Ref.	Rootes Part Number	Ford Part Number	DESCRIPTION	No. per Veh.	REMARKS
			IGNITION—continued		
			DISTRIBUTOR—continued		
93		B7A-12191-A	Spring—Distributor weight—Secondary ... ..	1	Not supplied
94	6100422	B8QH-12192-A	Spring—Distributor weight—Primary ... ..	1	
95	6100420	B7A-12188-A	Weight assembly ... ..	2	
96	6100417	B8A-12175-A	Shaft assembly ... ..	1	
97	6100411	B8QH-12120-A	Bushing ... ..	1	
98	6100413	B7A-12144-A	Clamp—cover ... ..	2	
99		B-12145	Rivet—Clamp ... ..	2	} Not supplied
100		B6A-10141-A	Cup—Oil ... ..	1	
101	6100412	B9TF-12143-A	Seal—Distributor base ... ..	1	
102		<del>7HA</del> -12195	Collar—Distributor shaft ... ..	1	} Not supplied
103		61489-S	Pin—Collar ... ..	1	
104	6100434	C20F-12390-A	Gear—Distributor drive ... ..	1	
105		61489-S	Pin—Gear ... ..	1	Not supplied
106	6100409	C3AZ-12270-A	Clamp—Distributor to block ... ..	1	
107		20386-S	Bolt } Clamp to ... ..	1	} Not supplied
108	6100646	34806-S	Washer } block ... ..	1	
109	6100433	B9AF-12370-A	Diaphragm ... ..	1	
110		43243-S	Screw—Diaphragm lever ... ..	1	} Not supplied
111		351826-S	Washer—Diaphragm lever to upper plate ... ..	1	
112		B7A-12320-A	Gasket } Diaphragm ... ..	1	
113	6100425	B7AZ-12192-B	Spring } ... ..	1	
114	6100424	C4AZ-12202-A	Stop—Distributor vacuum advance ... ..	1	
115			Washer—Packing ... ..	3	Not supplied
116	6100470	359546-S	Connector ... ..	1	
	6100401	B6A-12029-B	IGNITION COIL ... ..	1	
	6100402	B85-12043-A	Strap ... ..	1	
	6100030	B7A-12250-A	Resistor ... ..	1	} Ignition coil
	6100404	C3AZ-12298-C	Suppressor ... ..	1	
	6100027	B6P-14495-B	Cable—Coil to resistor ... ..	1	
	6100405	B8A-12405-A	SPARKING PLUG ... ..	8	
	6100403	C30Z-12259-H11	High tension cable set—Spark plug ... ..	1	
	1224844		BATTERY—67 amp/hr. Type BVZ 11A—Lucas 54028420		
			Battery manifold breather tube c/w 6 plugs ... 54285582	1	
			Battery tray—See body fittings.		
			FUSE UNIT FIXINGS		
	39413101		Screw, No. 10 - 1/4" ... ..	1	
	9772086		Tapping screw, No. 6 - 1/4" ... ..	1	
	9663121		Washer 3/8" shakeproof ... ..	1	
	5220700		Nut, No. 10 U.N.F. ... ..	1	
			HORNS		
	1224772		HORN—Low note ... ..	1	
	1224773		HORN—High note ... ..	1	

ELECTRICAL EQUIPMENT

Plate Ref.	Rootes Part Number	Ford Part Number	DESCRIPTION	No. per Veh.	REMARKS
<b>CABLES AND GROMMETS</b>					
	1224695		Body Harness ... .. 54935830	1	
	1229824		Chassis Harness—R.H.D. ... .. 54936353	1	
	1224863		Chassis Harness—L.H.D. ... .. 54935944	1	
	1224865		Cable—Starter solenoid to starter ... .. 54935946	1	
	1224864		Cable—Battery positive to starter solenoid ... .. 54935945	1	
	1224866		Cable—Battery negative to earth ... .. 54935947	1	
	1224867		Cable—Engine (Motor) earth ... .. 54935948	1	
	9118533		Grommet—Speedometer cable ... ..	1	
	9118535		Grommet—Battery cable ... ..	1	
	9179042		Clip—Chassis harness—R.H.D. ... ..	1	

# SECTION XF

# BODY MOUNTING

BODY MOUNTING

Plate Ref.	Rootes Part Number		DESCRIPTION	No. per Veh.	REMARKS
			<b>FRONT WING (Fender) AND AIR INTAKE APERTURE FITTINGS</b>		
	2234516		Insert—Motif, front wing (fender) and Trunk lid "Sunbeam 260" ... ..	3	North America only
	2231536		Insert—Motif, Front wing (Fender) ... ..	2	
			<b>FRONT NUMBER PLATE HANGER</b>		
	2233271		Carrier bracket—Front number plate ... ..	2	} U.S.A. and Canada
	39313081		Screw, No. 10 × ½" ... ..	2	
	9663123		Washer, ⅜" shakeproof } Carrier bracket ... ..	2	
	5220700		Nut, No. 10 UNF. ... ..	2	
			<b>SCREEN WASHER</b>		
	1224831		Fixing bracket—Bottle holder ... ..	1	

# SECTION YXF

## BODY FITTINGS '260'



BODY FITTINGS

Plate Ref.	Rootes Part Number	DESCRIPTION	No. per Veh.	REMARKS	
	5240670	BODY SHELL ... ..	1	Standard "G.T."	
	5240671	BODY SHELL ... ..	1		
		<b>UNDERFRAME SECTION</b>			
	5240672	Front side member, O/S (R.H.) ... ..	1	To be modified by customer	
	5240673	Front side member, N/S (L.H.) ... ..	1		
	2233184	Stay, O/S (R.H.)—R.H.D. } Side member ... ..	1		
	2231006	Stay, O/S (R.H.)—L.H.D. } to ... ..	1		
	2231007	Stay, N/S (L.H.) ... } wheelarch ... ..	1		
	2225854	Front wheel arch, O/S (R.H.) ... ..	1		
	1224795	Mounting bracket—Radiator header tank ... ..	2		
	1229808	Steady bracket—Steering unit ... ..	1		
	1224682	Steady bracket—Steering unit ... ..	1		
	2218290	Rear side member, O/S (R.H.) ... ..	1		
	2231048	Bracket—Panhard rod—Rear—Side member ... ..	1		
		<b>BODY SHELL SECTION</b>			
	2218387	Front apron ... ..	1		To be modified by customer
	5240674	Radiator support panel ... ..	1		
	2225869	Reinforcement tube, O/S (R.H.) ... ..	1		
		<b>WINDSCREEN (Windshield)</b>			
	2218423	Glass (Laminated) ... ..	1		
		<b>FACIA FITTINGS</b>			
	2217134	Plug button—Choke hole ... ..	1	Standard	
	2233182	INSTRUMENT PANEL—R.H.D. ... ..	1		
	2233570	INSTRUMENT PANEL—L.H.D. ... ..	1		
	P.49275	Plug button } Choke ... ..	1		
	P.49277	Spring bow } hole ... ..	1		
		<b>REAR SEAT AND BATTERY FITTINGS</b>			
	2233136	Seal—Battery box lid ... ..	1		
		<b>BATTERY FITTINGS</b>			
	2202038	Clamp—Battery ... ..	1		
	2203067	Rod—Clamp ... ..	2		
	9067017	Washer, 1/4" plain } Rod to ... ..	2		
	9510040	Nut, 1/4" UNF. } clamp ... ..	2		
		<b>REAR TRUNK</b>			
	2233108	Fixing bolt—Spare wheel ... ..	1		
	2231074	Mounting platform—Spare wheel ... ..	1		
	9118523	Grommet—Sealing holes in wheelarches ... ..	4		
	9131457	Plastic plug } Sealing holes ... ..	A/R		
	9119010	Rubber plug } in rear trunk ... ..	A/R		
		<b>SOFT TRIM</b>			
		<b>CARPET (Firth 1185)—Felt backed (27" wide)</b>			
	5111827	Light Blue ... ..	A/R		
	5111832	Black ... ..	A/R		
	5111833	Scarlet ... ..	A/R		
		Front and rear floor.			
	2517380	Trunk platform cover—Rear trunk ... ..	1		

BODY FITTINGS

Plate Ref.	Rootes Part Number	DESCRIPTION	No. per Veh.	REMARKS
		<b>MISCELLANEOUS TRIM</b>		
		FLOOR ... ..	1	
		Carpet complete ... ..		See Soft Trim
9128552		Ring (Long prong) } Front and rear	11	
9128521		Spring—Ring } carpet ...	11	
9128518		Button ... ..	1	
9128507		Socket } Steering column ...	1	
9128512		Eyelet } strap ... ..	1	
9128511		Stud } ... ..	1	
9128510		Stud—Carpet to floor ... ..	11	
9752166		Screw, No. 6 × 1"—Stud to floor ... ..	11	
9128534		Stud—Firewall and gearbox carpet ... ..	5	
9752086		Screw, No. 6 × ½"—Stud to floor ... ..	5	
2233145		Ash tray—Front floor ... ..	1	
		<b>REAR TRUNK</b>		
		Platform complete ... ..		Not supplied
		Cover—Platform ... ..		See Soft Trim
9127013		Dzus fastener ... ..	2	
9127053		Grommet—Fastener } Cover	2	
5240679		Dzus bracket ... ..	2	
9774089		Screw, No. 10 × ¼"—Bracket to rear trunk trim pad ... ..	6	
2231052		Trim pad, O/S (R.H.) } Side (Petrol ... ..	1	
2231053		Trim pad, N/S (L.H.) } tank cover) ... ..	1	
		<b>EXTERIOR FITTINGS</b>		
2232728		Moulding—Front wing (Fender) ... ..	2	
2232729		Moulding, rear—Front wing (Fender) ... ..	2	
2232730		Moulding—Door ... ..	2	
2232731		Moulding—Rear wing (Fender) ... ..	2	
7096040		Clip ... ..	40	
7208008		Fixing stud } Moulding ... ..	6	
7208009		Sealing bush } to body ... ..	6	
7208029		Thread cutting fastener } ... ..	6	
H.99667		Group badge ... ..	2	
9067010		Washer, ⅜" plain } ... ..	2	
9663122		Washer, ⅜" shakeproof } Badge to rear wing (Fender) ... ..	2	
9600521		Nut, 2 BA ... ..	2	
2201282		Name badge (Alpine) } Front wing ... ..	2	
2232723		Name badge } (Fender) ... ..	2	North America and U.K.
9132936		Clip—Badge to Front wing (Fender) ... ..	8	

# SECTION ZUF

## SPECIAL ACCESSORIES

SPECIAL ACCESSORIES

Plate Ref.	Rootes Part Number	DESCRIPTION	No. per Veh.	REMARKS
<b>HEATER AND DEMISTER</b>				
<b>HEATER AND DEMISTER KIT</b>				
	1229875	Water valve c/w bracket, R.H.D. ... ..	1	
	1224876	Water valve c/w bracket, L.H.D. ... ..	1	
	1224723	Water valve outlet ... ..	1	
	1224718	"O" Ring—Water valve ... ..	1	
	1224721	Screw ... } Water ... ..	2	
	1224722	Washer, spring } valve ... ..	2	
	1224874	Strap—Water valve to reinforcement tube ... ..	1	
	9179055	Clip ... } Water valve ... ..	1	
	9773069	Screw, No. 8 × 3/8" tapping, cross rec. } to heater hose ... ..	1	
	9067094	Washer, 3/8" plain ... } and bulkhead ... ..	1	
	2232726	Hose—Water valve to heater ... ..	1	
	2232725	Hose—Heater to "T" piece ... ..	1	
	1224659	Hose—Temperature transmitter housing to heater valve ... ..	1	
	1224681	Hose—Carburettor spacer to "T" piece ... ..	1	
	1224686	Hose—"T" piece to engine (motor) ... ..	1	
	9179061	Clip ... } Hose—"T" piece ... ..	1	
	19604041	Screw, 1" UNC. × 1/4" } to engine (motor) ... ..	1	
	9067097	Washer, 1/2" plain } and generator bracket ... ..	1	
	7200653	Clip, 1" dia. } ... ..	2	
	9782161	Clip, 1 1/2" } Hoses ... ..	2	
	9788141	Clip, 3/2" dia. } ... ..	4	
	1224875	Control cable—Water valve ... ..	1	
	9118514	Grommet—Water valve control cable ... ..	1	
<b>BLOWER KIT</b>				
	1224860	Drain tube and valve ... ..	1	
	1206532	Valve—Drain tube ... ..	1	
<b>MISCELLANEOUS</b>				
<b>AMMETER KIT</b>				
	1223605	Ammeter ... ..	1	Not supplied
	1229322	ELECTRIC CLOCK KIT ... ..	1	
<b>SCREEN WASHER</b>				
	2211916	Grommet } Screen washer ... ..	1	
	9118514	Grommet } hose ... ..	1	

# SECTION ZVF

## TOOLS

TOOLS

Plate Ref.	Rootes Part Number	DESCRIPTION	No. per Veh.	REMARKS
	1219610	Tool roll ... ..	1	
	P.113516	Wheel brace ... ..	1	
	1201342	Lifting jack ... ..	1	
	P.42165	Tyre valve key ... ..	1	
	P.79758	Screwdriver ... ..	1	
	P.79756	Pliers ... ..	1	
	P.41399	Spanner—Adjustable ... ..	1	
	1224751	Spanner—Sparking plugs ... ..	1	
	1224817	Tommy bar—Sparking plug spanner ... ..	1	
	9221020	Spanner, $\frac{1}{2}$ " $\times$ $\frac{1}{16}$ " UNF. ... ..	1	
	9221021	Spanner, $\frac{3}{8}$ " $\times$ $\frac{1}{8}$ " UNF. ... ..	1	
	9221024	Spanner, $\frac{7}{16}$ " (bolt) $\times$ $\frac{1}{2}$ " UNF. ... ..	1	
	9221025	Spanner, $\frac{7}{16}$ " (nut) $\times$ $\frac{1}{8}$ " (bolt) UNF. ... ..	1	
	P.102286	Nave plate extractor ... ..	1	

# SECTION ZXF

## PARTS AND SERVICE PUBLICATIONS

PARTS AND SERVICE PUBLICATIONS

Plate Ref.	Roots Part Number		DESCRIPTION	No. per Veh.	REMARKS
			This Section details Parts and Service Publications for the Sunbeam 260.		
	6600992		PARTS LIST ... ..	1	
	6601131		PARTS LIST SUPPLEMENT ... ..	1	
	6601124		Owner's Handbook (English) (Publication IB393) ... ..	1	
	6601173		Owner's Handbook (French) (Publication IB393F) ... ..	1	
	6601174		Owner's Handbook (German) (Publication IB393G) ... ..	1	
	6601206		Workshop Manual (English) (Publication WSM144) ... ..	1	
	6601125		Workshop Manual (English) (Publication WSM141) ... ..	1	North America only
	6601126		Man-Hour Schedule (Publication MHS28) ... ..	1	



# SECTION ZZF

## NUMERICAL INDEX

### NOTE

Items marked "S" are those parts which are recommended for initial stock by dealers.

NUMERICAL INDEX

<i>Part No.</i>	<i>Page No.</i>	<i>Part No.</i>	<i>Page No.</i>	<i>Part No.</i>	<i>Page No.</i>	<i>Part No.</i>	<i>Page No.</i>
<b>7-FIGURE SECTION</b>		1224649	NF2	1224786	NF2	1228688	RF1
1045489	DF1	1224655	FF1	1224789	NF2	1229322	S ZU1
1200356	DF1	1224657	AF6	1224791	UF1	1229801	S AF7
1200455	DF1	1224659	ZU1	1224792	UF1	1229802	QF1
1201342	ZV1	1224662	S SF1	1224795	YF1	1229804	QF1
1206273	RF1	1224663	RF1	1224796	TF1	1229806	QF1
1206274	S RF1	1224674	QF1	1224797	S DF2	1229807	FF1
1206294	RF2	1224677	FF1	1224803	S UF1	1229808	YX1
1206295	RF2	1224679	S WF1	1224804	S UF1	1229819	S QF1
1206352	DF1	1224681	ZU1	1224805	AF6	1229820	S QF1
1206388	RF1	1224682	YX1	1224807	BF2	1229821	S QF1
1206410	RF2	1224686	ZU1	1224808	S AF3	1229822	S FF1
1206429	RF1	1224687	GF3	1224812	S AF6	1229823	AF6
1206462	RF1	1224688	RF1	1224813	S NF2	1229824	WF5
1206508	QF1	1224695	WF5	1224816	UF1	1229828	DF1
1206509	RF1	1224697	S WF1	1224817	S ZV1	1229830	DF1
1206510	RF1	1224698	S WF1	1224818	S TF1	1229831	DF1
1206521	RF1	1224702	FF1	1224819	S AF4	1229832	DF1
1206532	ZU1	1224708	DF2	1224820	S AF4	1229833	DF1
1206560	RF2	1224712	S UF1	1224821	DF2	1229834	DF1
1206585	SF1	1224713	S UF1	1224824	AF4	1229835	DF1
1206621	RF2	1224718	ZU1	1224826	AF4	1229837	DF1
1207244	S NF2	1224721	ZU1	1224827	AF4	1229838	DF1
1214407	S NF2	1224722	ZU1	1224830	AF6	1229840	DF1
1214930	S NF2	1224723	ZU1	1224831	NF1	1229841	DF1
1215191	DF1	1224725	TF1	1224836	S MF1	1229842	S AF5
1216238	TF1	1224728	S AF4	1224837	S MF1	1229843	AF6
1217359	TF1	1224729	AF4	1224840	S TF1	1229844	S GF2
1217361	S TF1	1224730	AF4	1224841	S TF1	1229845	GI-2
1217363	TF1	1224732	S QF1	1224842	S TF1	1229850	RF1
1217366	TF1	1224733	S QF1	1224843	S TF1	1229854	TF1
1217367	TF1	1224734	S QF1	1224844	WF4	1229855	TF1
1217368	TF1	1224736	S QF1	1224845	DF2	1229856	TF1
1217369	TF1	1224737	S FF1	1224849	DF2	1229857	TF1
1217370	TF1	1224738	S QF1	1224853	S DF2	1229859	S UF1
1217371	TF1	1224739	S QF1	1224854	DF1	1229862	S VF1
1217373	TF1	1224740	S QF1	1224860	ZU1	1229863	S VF1
1219610	ZV1	1224741	S QF1	1224863	WF5	1229865	UF1
1223605	ZU1	1224743	FF1	1224864	WF5	1229875	ZU1
1223650	S MF1	1224744	S FF1	1224865	WF5	2201282	YN2
1223832	RF1	1224745	FF1	1224866	WF5	2202038	YN1
1224207	RF2	1224747	S FF1	1224867	WF5	2203067	YN1
1224359	NF1	1224748	PF1	1224871	RI1	2211916	ZU1
1224610	AF7	1224751	S ZV1	1224873	WF1	2217134	YN1
1224611	AF7	1224753	AF4	1224874	ZU1	2218290	YN1
1224619	S MF1	1224755	QF1	1224875	ZU1	2218387	YN1
1224626	QF1	1224756	BF2	1224876	ZU1	2218423	YN1
1224627	QF1	1224759	S AF7	1224878	TF1	2225854	YN1
1224628	QF1	1224767	AF4	1224885	GI3	2225869	YN1
1224629	QF1	1224768	AF4	1224886	QF1	2231006	YN1
1224630	S VF1	1224769	BF2	1224890	DF2	2231007	YN1
1224631	S VF1	1224771	BF2	1224891	S DF2	2231048	YN1
1224634	S BF1	1224772	S WF4	1224892	S AF6	2231052	YN2
1224637	S RF1	1224773	S WF4	1224893	S AF6	2231053	YN2
1224640	MF1	1224774	S AF1	1224894	S UF1	2231074	YN1
1224641	MF1	1224775	S AF1	1224900	AF4	2231536	S X11
1224642	AF5	1224784	NF2	1228282	DF1	2232723	YN2

NUMERICAL INDEX

<i>Part No.</i>	<i>Page No.</i>	<i>Part No.</i>	<i>Page No.</i>	<i>Part No.</i>	<i>Page No.</i>	<i>Part No.</i>	<i>Page No.</i>
2232725	ZU1	5042647	BF1	5042790	RF1	6100004	GF1
2232726	ZU1	5042648	BF1	5042791	RF1	6100009	GF3
2232728	S YX2	5042649	BF1	5042792	RF1	6100010	GF3
2232729	S YX2	5042650	BF1	5042793	PF1	6100011	GF3
2232730	S YX2	5042651	S BF1	5042794	PF1	6100013	S GF2
2232731	S YX2	5042652	BF1	5042795	S PF1	6100014	S GF2
2233108	YX1	5042653	BF1	5042796	PF1	6100015	S GF2
2233136	YX1	5042654	BF1	5042935	RF1	6100016	S GF3
2233145	YX2	5042655	S AF6	5042936	RF1	6100017	GF3
2233182	YX1	5042656	S AF6	5042938	S RF1	6100018	S GF3
2233184	YX1	5042657	BF1	5043255	S NF1	6100019	S GF3
2233271	S XF1	5042658	S BF1	5043284	S RF1	6100021	AF6
2233570	YX1	5042659	BF1	5043285	S RF1	6100022	AF6
2234516	S XF1	5042660	BF1	5043286	S RF1	6100024	S AF6
2517380	YX1	5042661	BF1	5043287	S RF1	6100025	S AF5
5030668	FF1	5042662	BF1	5043288	S RF1	6100027	WF4
5030669	FF1	5042663	BF1	5043289	S RF1	6100030	S WF4
5030670	FF1	5042664	BF1	5043290	S RF1	6100031	S AF3
5030671	FF1	5042665	BF1	5043561	GF2	6100033	S AF6
5030672	FF1	5042666	BF1	5111827	YX1	6100034	S UF1
5030675	FF1	5042667	S BF1	5111832	YX1	6100035	S WF1
5038424	FF1	5042668	BF1	5111833	YX1	6100036	S AF5
5039060	FF1	5042669	BF1	5200482	QF1	6100037	S AF5
5041071	RF1	5042670	BF1	5200485	AF4	6100038	AF5
5041078	S RF1	5042671	BF1		DF1	6100040	S AF5
5042331	S WF1	5042672	BF1		SF1	6100041	AF6
5042516	NF1	5042673	BF2	5220157	FF1	6100042	S FF1
5042517	S NF1	5042674	BF2	5220487	TF1	6100043	S AF5
5042518	NF1	5042677	S FF1	5220682	TF1	6100044	S AF5
5042519	S NF1	5042678	S FF1	5220685	QF1	6100045	S VF1
5042520	NF1	5042679	FF1	5220690	QF1	6100046	S VF1
5042521	NF1	5042680	FF1		TF1	6100047	S WF1
5042522	NF1	5042681	FF1	5220695	BF2	6100048	S GF3
5042523	NF1	5042682	FF1		RF2	6100052	GF3
5042524	NF1	5042683	FF1	5220699	AF4	6100132	S AF8
5042526	NF1	5042684	S NF1	5220700	BF2	6100134	AF4
5042527	NF1	5042685	S NF2		DF1	6100136	AF5
5042528	S NF1	5042686	NF2		DF2	6100137	S AF3
5042529	S NF1	5042687	NF2		WF4	6100138	AF3
5042530	S NF1	5042689	S NF2		XF1	6100139	AF3
5042531	S NF1	5042690	S NF2	5220701	AF1	6100143	AF4
5042539	S NF1	5042691	NF2		BF2	6100145	AF5
5042541	NF1	5042692	NF2		QF1	6100146	AF5
5042633	BF1	5042693	NF1		SF1	6100151	AF1
5042634	BF1	5042694	NF1		VF1	6100152	AF4
5042635	BF1	5042696	NF1	5220703	NF2	6100153	S AF8
5042636	S BF1	5042697	NF1		VF1	6100154	AF1
5042637	BF1	5042698	S NF1	5220722	WF1	6100155	S AF3
5042638	BF1	5042699	S NF1	5220903	S SF1	6100156	AF3
5042639	BF1	5042700	NF1	5220923	S QF1	6100157	S AF3
5042640	BF1	5042702	NF1	5240670	YX1	6100158	S AF3
5042641	BF1	5042703	S NF1	5240671	YX1	6100159	S AF3
5042642	BF1	5042785	S RF1	5240672	YX1	6100160	FF1
5042643	BF1	5042786	S RF1	5240673	YX1	6100161	AF7
5042644	BF1	5042787	RF1	5240674	S YX1	6100162	S AF3
5042645	S BF1	5042788	RF1	5240679	YX2	6100163	AF3
5042646	BF1	5042789	S RF1	6100001	S FF1	6100164	AF3

NUMERICAL INDEX

<i>Part No.</i>	<i>Page No.</i>	<i>Part No.</i>	<i>Page No.</i>	<i>Part No.</i>	<i>Page No.</i>	<i>Part No.</i>	<i>Page No.</i>
6100165	AF3	6100224	S GF2	6100286	AF5	6100349	CF2
6100166	AF3	6100225	GF1	6100287	AF5	6100350	CF2
6100167	AF3	6100226	GF1	6100288	S AF5	6100351	CF2
6100168	S AF3	6100227	S GF1	6100289	S AF5	6100352	CF2
6100169	AF3	6100228	S GF1	6100290	S AF5	6100353	CF2
6100170	AF3	6100229	GF1	6100292	UF1	6100354	CF1
6100171	S AF3	6100230	GF1	6100293	S AF1	6100355	CF1
6100172	AF3	6100231	S GF1		UF1	6100356	CF3
6100173	AF3	6100232	S GF1	6100296	AF5	6100357	CF2
6100174	AF3	6100233	GF1	6100298	S AF5	6100358	AF5
6100175	S AF1	6100235	GF1	6100300	S CF3	6100359	AF4
6100176	S AF1	6100236	GF1	6100301	S CF3	6100360	S AF4
6100177	S AF1	6100237	GF1	6100302	S CF3	6100361	S AF4
6100178	S AF1	6100238	S GF1	6100303	CF2	6100362	S AF4
6100179	AF2	6100239	S GF1	6100305	CF2	6100363	GF3
6100180	AF2	6100240	S GF1	6100306	CF3	6100364	S WF2
6100181	AF2	6100241	S GF1	6100307	CF3	6100365	WF2
6100182	AF2	6100242	GF1	6100308	CF1	6100366	WF2
6100183	AF2	6100243	S GF1	6100309	CF1	6100367	AF1
6100184	AF2	6100244	GF1	6100310	CF2	6100369	WF2
6100185	AF2	6100245	GF1	6100311	CF2	6100370	WF2
6100186	AF2	6100246	S GF1	6100312	CF2	6100371	AF7
6100187	S AF2	6100247	AF5		WF3	6100372	WF2
6100188	S AF2	6100248	S GF2	6100313	CF1	6100373	WF2
6100189	S AF2	6100249	S GF2	6100314	CF1	6100374	WF2
6100190	S AF2	6100250	S GF2	6100315	CF1	6100375	WF2
6100191	AF2	6100251	GF2	6100316	CF1	6100377	WF2
6100192	AF2	6100252	GF2	6100317	CF1	6100379	WF2
6100193	AF2	6100253	GF2	6100318	CF1	6100382	WF2
6100194	AF2	6100254	S GF2	6100319	CF2		WF3
6100195	AF2	6100255	S GF2	6100320	CF2	6100383	WF2
6100196	AF2	6100256	GF1	6100321	CF1	6100385	WF2
6100197	AF2	6100257	S GF1	6100322	CF2	6100389	WF2
6100198	AF2	6100258	S GF1	6100323	CF3	6100392	WF2
6100199	S AF5	6100259	S GF1	6100324	CF3	6100393	WF2
6100200	S AF4	6100260	S GF2	6100325	CF3	6100395	WF2
6100201	AF4	6100261	S GF1	6100326	CF3	6100396	WF2
6100202	AF4	6100262	S GF1	6100327	CF1	6100397	WF2
6100203	AF4	6100263	GF1	6100328	CF3	6100399	WF2
6100204	S AF4	6100264	S GF1	6100329	CF3	6100401	S WF4
6100205	AF4	6100265	S GF1	6100331	CF3	6100402	WF4
6100206	AF4	6100267	S GF1	6100332	CF3	6100403	S WF4
6100207	AF4	6100268	S GF1	6100333	CF1	6100404	S WF4
6100208	S AF4	6100269	S GF2	6100334	CF3	6100405	S WF4
6100209	S AF4	6100270	GF2	6100335	CF3	6100406	S WF3
6100210	S AF4	6100271	GF2	6100336	CF2	6100407	S WF3
6100211	AF5	6100272	GF2	6100337	CF1	6100408	S WF3
6100212	S AF5	6100273	S GF2	6100339	CF2	6100409	WF4
6100213	S AF5	6100274	GF2	6100340	CF1	6100411	WF4
6100214	AF3	6100275	FF1	6100341	CF1	6100412	S WF4
6100215	S AF7	6100276	FF1	6100342	CF3	6100413	WF4
6100216	AF1	6100278	S FF1	6100343	CF2	6100414	WF3
6100217	S AF4	6100279	S FF1	6100344	CF2	6100415	WF3
6100218	GF1	6100280	S FF1	6100345	CF1	6100416	S WF3
6100222	GF2	6100282	S AF5	6100346	CF2	6100417	WF4
6100223	GF2	6100284	AF5	6100347	CF2	6100418	WF3
		6100285	AF5	6100348	CF2	6100419	WF3

NUMERICAL INDEX

<i>Part No.</i>	<i>Page No.</i>	<i>Part No.</i>	<i>Page No.</i>	<i>Part No.</i>	<i>Page No.</i>	<i>Part No.</i>	<i>Page No.</i>
6100420	WF4	6100484	CF2	6100549	S AF1	6100604	AF5
6100422	WF4	6100485	CF1	6100550	AF1	6100608	CF1
6100424	WF4	6100486	CF2	6100551	AF1	6100609	CF2
6100425	WF4	6100487	S FF1	6100552	AF1	6100610	CF2
6100427	WF3	6100488	S GF1	6100553	AF1	6100611	CF3
6100428	WF3	6100489	S GF1	6100554	AF7	6100612	CF1
6100429	WF3	6100490	S GF1	6100555	AF7	6100613	CF3
6100430	WF3	6100491	S GF1	6100556	AF7	6100614	CF1
6100431	S WF3	6100492	S GF1	6100557	AF7	6100615	CF1
6100433	S WF4	6100493	S GF1	6100558	GF3	6100616	CF3
6100434	S WF4	6100494	AF3	6100559	GF3	6100617	CF3
6100435	AF1	6100495	AF3	6100560	GF3	6100618	AF5
6100436	S AF4	6100497	S AF4	6100561	AF1	6100619	AF6
6100437	AF3	6100498	AF3		UF1	6100620	AF6
6100438	GF1	6100499	S AF4	6100562	AF1	6100621	AF6
6100439	S FF1	6100500	AF5		CF3	6100623	AF6
6100440	S CF1	6100501	S AF3	6100563	S AF3	6100630	WF3
6100441	AF3	6100502	AF1		GF2	6100631	WF3
6100442	AF3	6100503	AF1	6100564	AF3	6100632	WF3
6100443	AF5	6100504	S GF2	6100565	S AF3	6100633	WF3
6100444	AF5	6100510	AF4	6100566	S AF3	6100637	WF2
6100445	S AF3	6100511	S AF1		AF6	6100644	WF2
6100446	AF4	6100512	S AF1		GF2	6100646	AF6
6100447	S AF4	6100513	AF1	6100567	S AF1		UF1
6100448	S AF4	6100514	AF1	6100568	S AF3		WF2
6100449	S GF1	6100515	AF1	6100571	CF3		WF4
6100450	CF1	6100516	AF1		WF2	6100647	WF2
6100451	CF1	6100517	AF1	6100572	GF1		WF3
6100452	CF1	6100518	S AF1		GF2	6100649	WF3
6100453	CF3	6100519	AF1	6100574	GF1	6100650	WF3
6100454	CF3	6100520	AF1	6100575	GF1	6100651	WF3
6100455	CF1	6100522	AF1	6100576	GF2	6100663	GF3
6100456	CF3	6100523	S AF1	6100577	GF2	6100665	CF1
6100457	AF5	6100524	S AF1	6100578	GF2	6100666	AF3
6100458	CF3	6100525	AF1	6100579	GF1	6100667	AF7
6100459	S WF3	6100526	AF1	6100581	AF6	6100668	AF7
6100460	S WF3	6100527	AF1		GF1	6100669	AF7
6100461	WF3	6100528	AF1		GF2	6100670	AF5
6100462	WF3	6100529	S AF1	6100582	GF1	6100671	AF3
6100463	WF3	6100530	S AF1	6100583	GF2	6100673	CF2
6100464	WF3	6100531	S AF3	6100584	GF2	6100676	CF3
6100465	WF3	6100532	AF3	6100585	S GF1	6100677	CF3
6100466	WF3	6100533	S AF3	6100586	S GF1	6100678	CF3
6100467	WF3	6100534	S AF3	6100588	AF6	6100679	CF3
6100468	WF3	6100535	AF3		GF2	6100680	CF3
6100470	WF4	6100536	S AF3	6100589	GF2	6100681	CF1
6100472	WF2	6100537	AF4	6100590	GF3	6100682	CF1
6100473	S WF3	6100538	S AE7	6100591	GF3	6100683	CF1
6100474	S WF3	6100540	AF3	6100592	GF3	<del>6100684</del>	CF1
6100475	WF3	6100541	S AF3	6100593	AF6	6100685	CF1
6100476	WF3	6100542	AF3	6100594	AF6	6100686	CF2
6100477	WF3	6100543	CF3	6100595	AF6	6100687	CF3
6100478	WF3	6100544	CF3	6100597	AF6	6100688	CF1
6100479	CF1	6100545	CF2	6100599	AF6	6100689	CF3
6100480	CF2	6100546	AF7	6100601	CF3	6100690	GF3
6100481	CF2	6100547	S AF7	6100602	S AF5	6100691	CF2
6100483	CF2	6100548	AF1	6100603	AF5	6100692	CF2

NUMERICAL INDEX

Part No.	Page No.	Part No.	Page No.	Part No.	Page No.	Part No.	Page No.
6100693	CF2	9118508	S RF1	9510053	PF1	9785081	UF1
6100694	CF2	9118514	QF1	9520060	NF2	9788141	ZU1
6100695	CF1		ZU1		QF1		
6100696	CF1	9118523	YX1	9520100	NF2		
6100698	AF6		WF5	9520101	RF1		
6600992	ZX1	9118535	WF5	9540070	RF1		
6601124	ZX1	9118550	AF7	9550040	AF6	19105143	RF1
6601125	ZX1	9119010	YX1	9552053	DF1	19105161	QF1
6601126	ZX1	9120051	DF1		RF1	19106051	GF3
6601131	ZX1	9122249	FF1	9571043	BF2	19106103	PF1
6601173	ZX1	9122252	GF2	9600521	S YX2	19106241	AF7
6601174	ZX1	9127013	YX2	9660121	BF1	19406221	FF1
6601206	ZX1	9127053	YX2	9660122	BF2	19406261	FF1
7096040	S YX2	9128507	YX2		DF1	19407111	VF1
7200653	ZU1	9128510	YX2		DF2	19503041	UF1
7208008	S YX2	9128511	YX2	9660161	GF2	19503051	DF1
7208009	S YX2	9128512	YX2		TF1	19503052	BF2
7208029	S YX2	9128518	YX2	9660201	BF2	19503061	TF1
9003269	RF1	9128521	YX2		VF1		DF1
9020030	QF1	9128534	YX2	9660242	GF3		DF2
9020042	RF2	9128552	YX2	9660282	VF1	19503101	DF2
9029179	RF1	9130023	TF1	9660321	NF1	19504051	QF1
9034062	TF1	9131457	YX1		TF1		RF2
9067008	DF1	9132936	YX2	9661201	NF1		WF1
9067009	DF1	9161205	AF7	9661241	AF4	19505032	RF1
	DF2	9152102	QF1		VF1	19505061	AF4
	UF1	9176015	UF1	9662122	DF1		TF1
	WF1	9178502	TF1	9663121	WF1		VF1
9067010	S YX2	9179042	WF5		WF4	19604041	ZU1
9067015	AF6	9179049	QF1	9663122	S DF1	19604051	TF1
	QF1	9179055	ZU1		DF2	19605051	NF1
9067017	DF1	9179061	ZU1		YX2	19607061	UF1
	RF1	9179227	QF1	9663123	BF2	39031040	NF1
	RF2	9179381	QF1		XF1	39033080	BF1
	YX1	9180241	VF1	9664162	QF1	39213081	WF1
9067018	RF2	9187004	CF1		RF2		RV2
9067023	DF1		CF3		TF1		XF1
9067027	TF1		FF1	9664203	QF1	39313101	DF2
9067034	DF1	9187006	S GF2		TF1	39313141	DF2
9067036	DF2	9207208	FF1	9664242	QF1	39413101	WF4
9067041	AF7	9214001	TF1	9664243	AF7	39711122	RF2
9067043	VF1	9221020	ZV1		PF1		
9067048	GF3	9221021	ZV1	9664282	UF1		
9067054	NF2	9221024	ZV1	9752086	YX2		
9067056	DF1	9221025	ZV1	9752166	YX2		
9067078	NF1	9227107	BF1	9772086	DF1		
9067089	RF1		BF2		WF4		
9067094	ZU1	9228002	S NF2	9773069	ZU1		
9067097	ZU1	9228003	S NF2	9773126	RF2		
9067108	GF3	9228004	S NF2	9774089	YX2		
9078035	PF2	9228005	S NF2	9775089	DF1		
9078049	AF4	9233561	TF1	9782091	S TF1	K10502	PF1
9086011	DF1	9510040	QF1	9782141	AF6	K21836	FF1
9107040	GF2		RF1	9782161	ZU1	K23618	S NF2
9116027	UF1		TF1	9782201	TF1	K26371	FF1
9118500	UF1		WF1	9782301	S TF1	K27978	S RF1
	UF2		YX1	9782341	S TF1	K28058	S NF1
						K28059	S NF1

8-FIGURE SECTION

"H" SECTION

"K" SECTION

NUMERICAL INDEX

<i>Part No.</i>	<i>Page No.</i>	<i>Part No.</i>	<i>Page No.</i>	<i>Part No.</i>	<i>Page No.</i>	<i>Part No.</i>	<i>Page No.</i>
K28060	S NF1	K28080	S NF1	"P" SECTION		P49277	YX1
K28061	S NF1	K28081	S NF1	P41399	ZV1	P49294	TF1
K28062	S NF1	K28082	S NF1	P42165	ZV1	P79756	ZV1
K28065	S NF1	K28087	S NF1	P43555	S UF1	P79758	ZV1
K28066	S NF1	K28139	NF1	P43906	S NF1	P102286	ZV1
K28067	NF1	K28148	S NF1	P49043	S QF1	P113421	VF1
K28076	S NF2	K28149	S NF1	P49275	YX1	P113516	ZV1
K28079	S NF1						