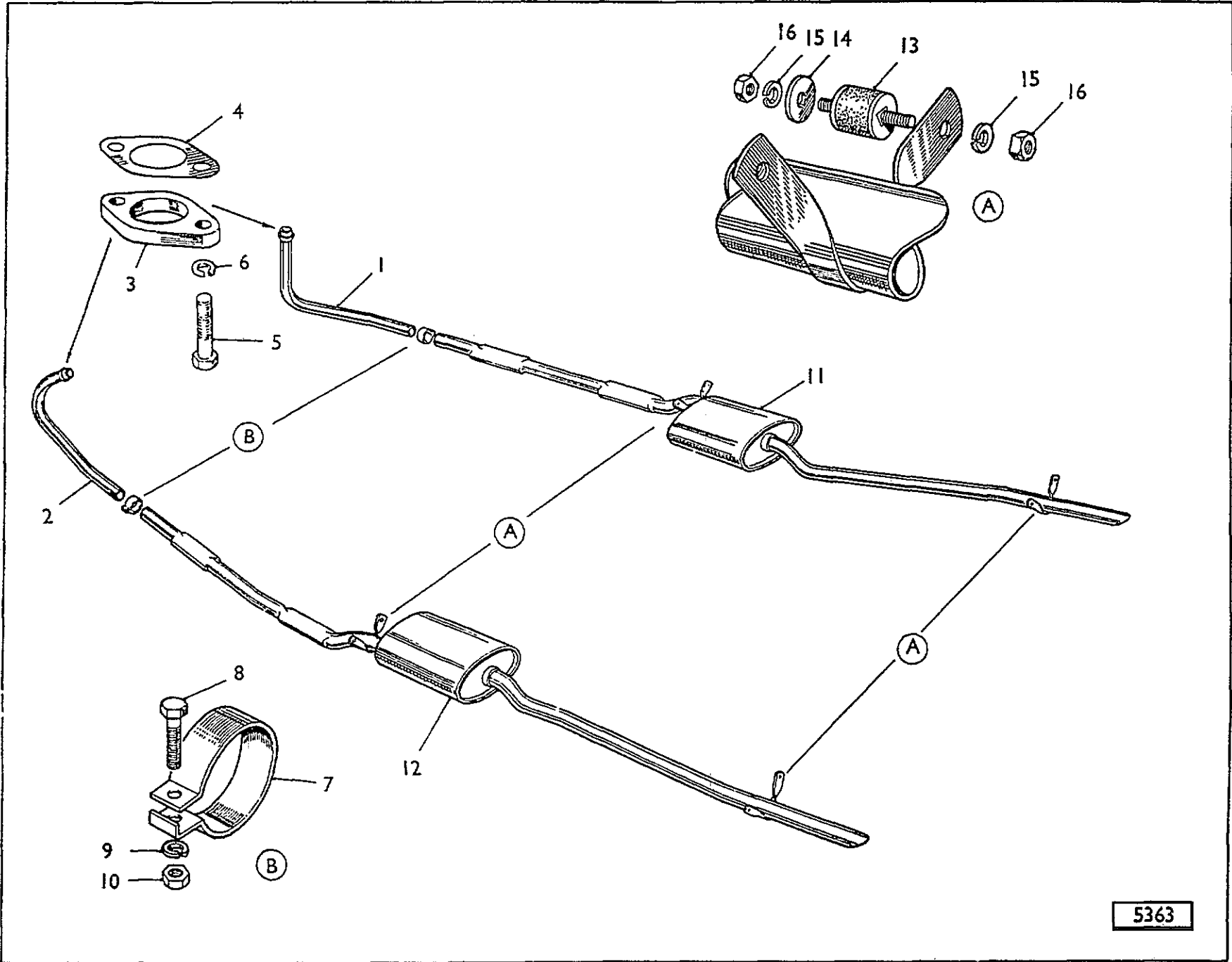


SECTION VF

EXHAUST SYSTEM

EXHAUST SYSTEM



SECTION VF

EXHAUST SYSTEM

Plate Ref.	Rootes Part Number	Ford Part Number	DESCRIPTION	No. per Veh.	REMARKS
1	1224630		PRIMARY PIPE, O/S (R.H.)	1	
2	1224631		PRIMARY PIPE, N/S (L.H.)	1	
3	6100045	C3AZ-5269-A	Flange—Primary pipes	2	
4	6100046	C3AZ-9450-A	Gasket—Exhaust manifold to primary pipe (Asbestos)	2	
5	19407111		Screw, $\frac{7}{8}$ " UNC. \times $1\frac{1}{2}$ " } Primary pipes	4	
6	9660282		Washer, $\frac{7}{8}$ " spring } to manifolds	4	
7	9182041		Clip	2	
8	19505081		Screw, $\frac{5}{8}$ " UNF. \times 1" } Primary pipes to	2	
9	9660201		Washer, $\frac{5}{8}$ " spring } exhaust pipes	2	
10	5220701		Nut, $\frac{5}{8}$ " Hex.	2	
11	1224774		EXHAUST PIPE AND SILENCER, O/S (R.H.)	1	} R.H.D. also L.H.D. U.S.A. and Canada } L.H.D. except } U.S.A. and Canada
12	1224775		EXHAUST PIPE AND SILENCER, N/S (L.H.)	1	
	1229862		EXHAUST PIPE AND SILENCER, O/S (R.H.)	1	
	1229863		EXHAUST PIPE AND SILENCER, N/S (L.H.)	1	
13	P.113421		Support rubber	8	
14	9067043		Washer, $\frac{1}{2}$ " plain } Exhaust pipe and	8	
15	9661241		Washer, $\frac{1}{2}$ " spring } silencer mounting	16	
16	5220703		Nut, $\frac{1}{2}$ " UNF.	16	